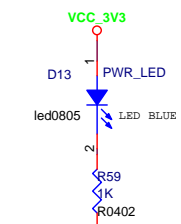
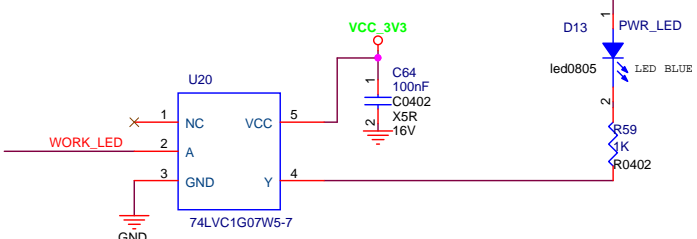
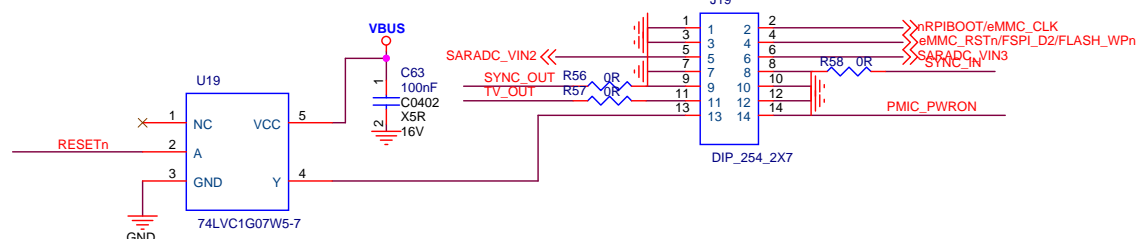
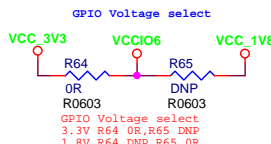
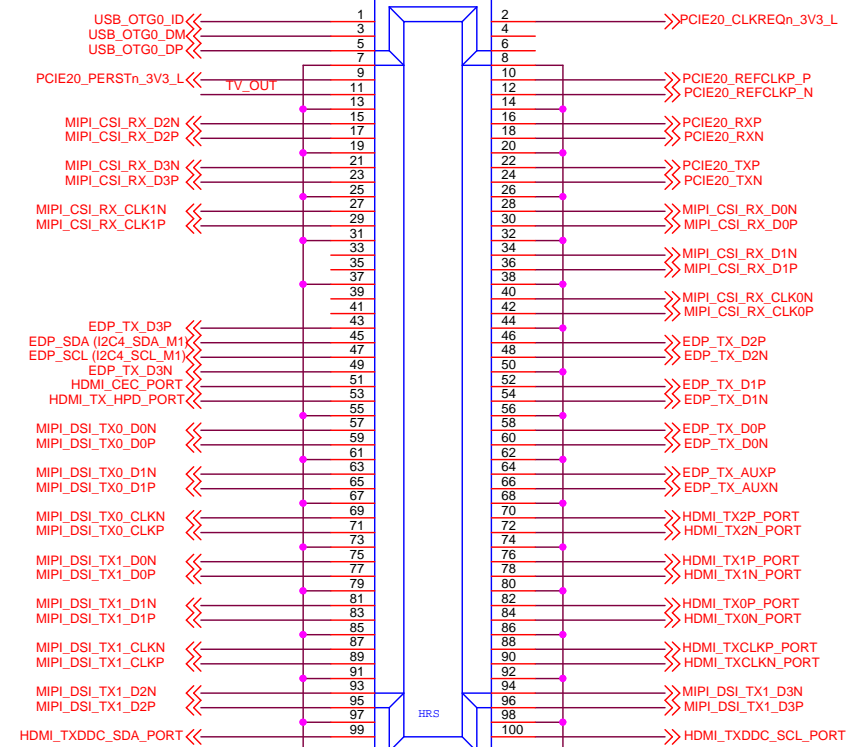
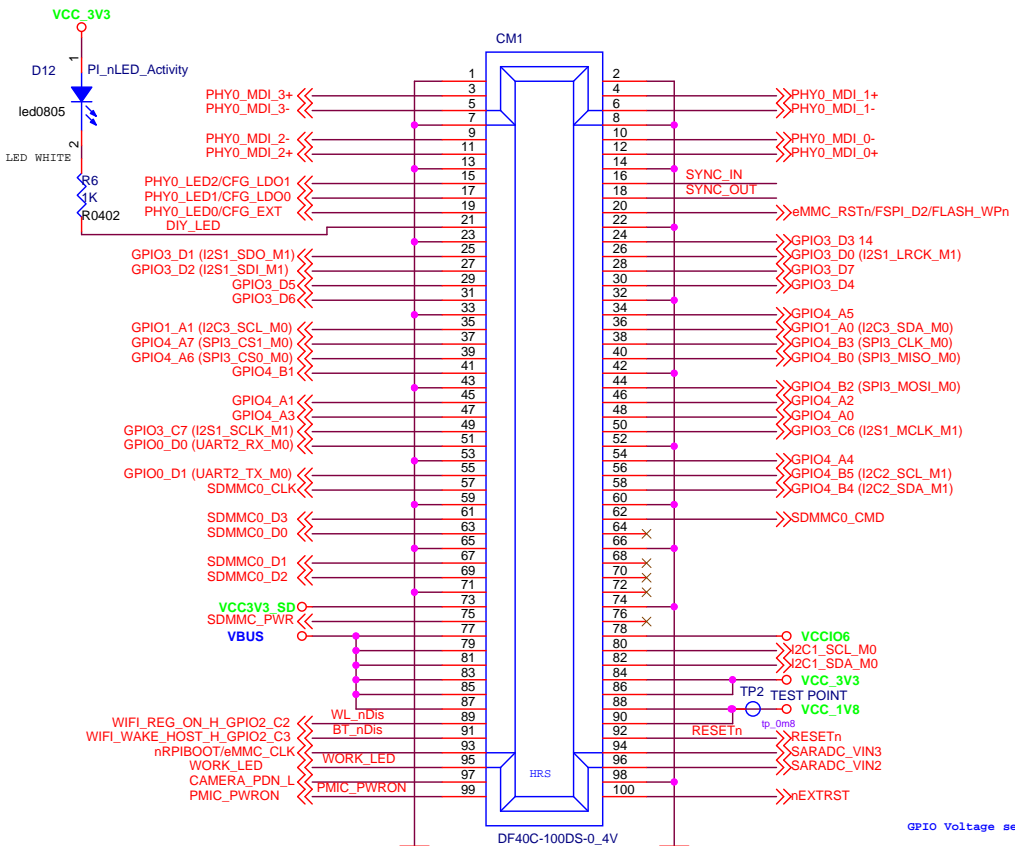
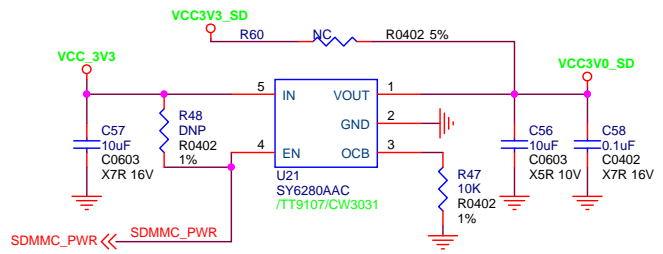
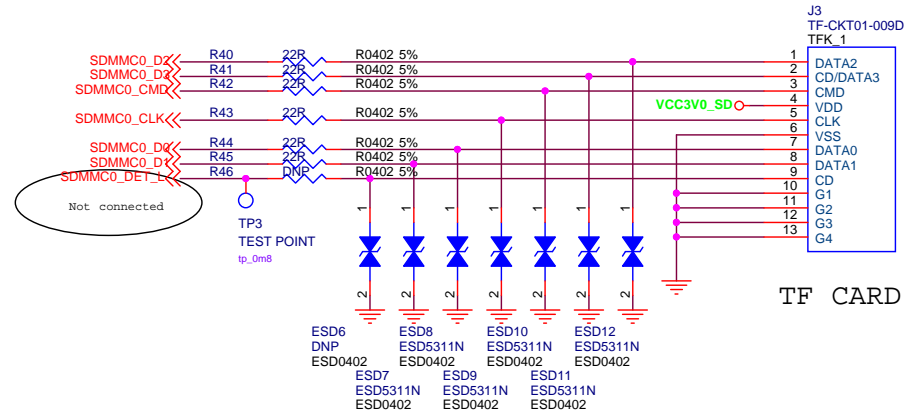


PINE64		PINE64	
Title			
SOQuartz model-A Schematic-20220522			
Size	Document Number		Rev
B			1.1
Date:	Thursday, August 11, 2022	Sheet	1 of 1



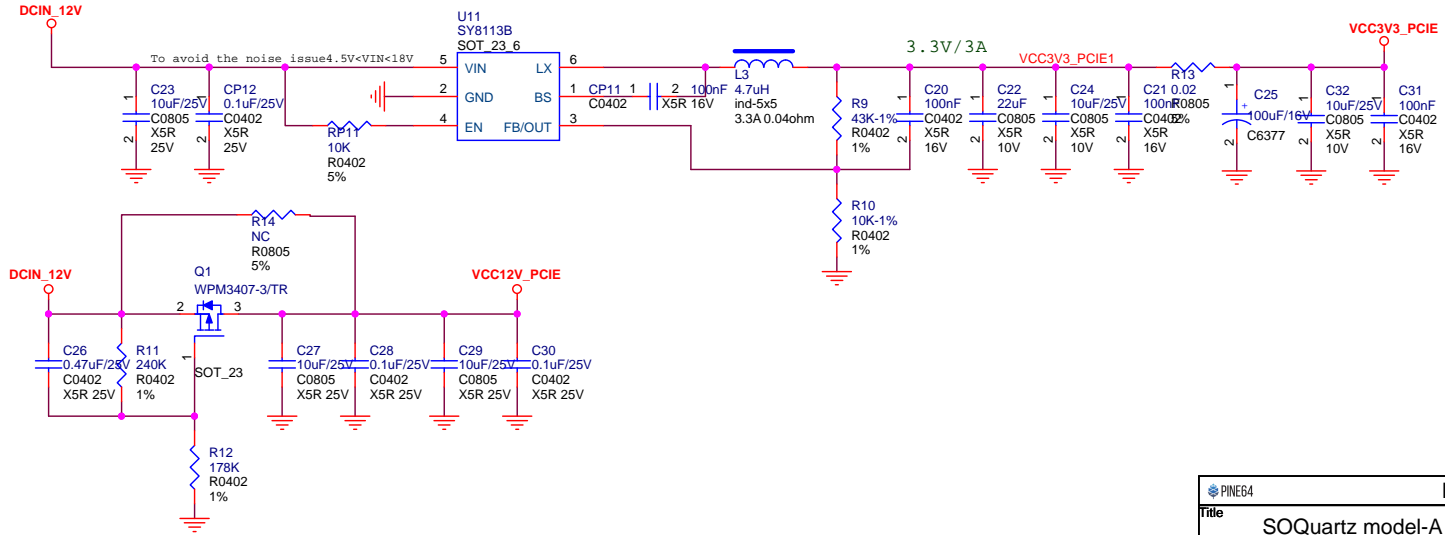
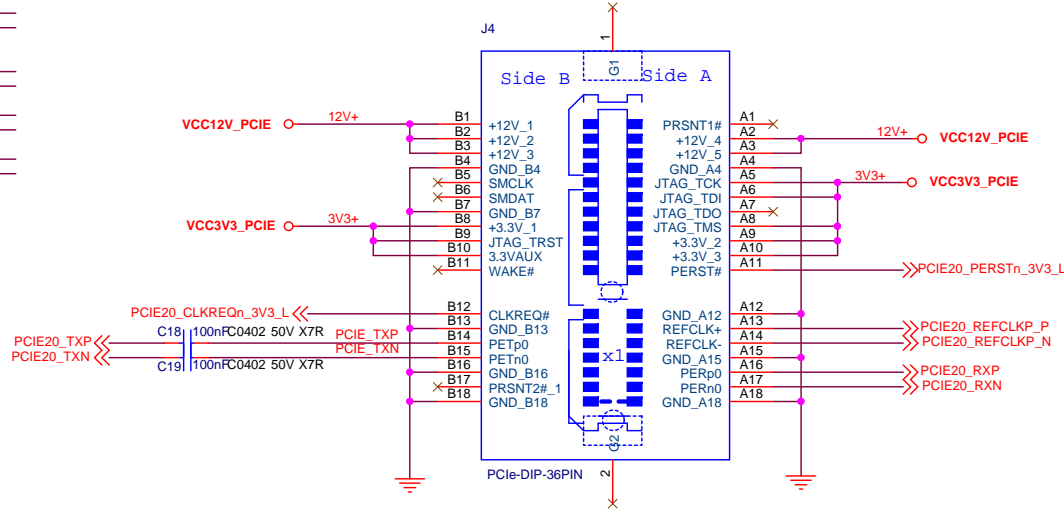
PINE64		PINE64	
Title			
SOQuartz model-A Schematic-20220522			
Size	Document Number		Rev
B			1.1
Date:	Monday, May 23, 2022	Sheet	1 of 1



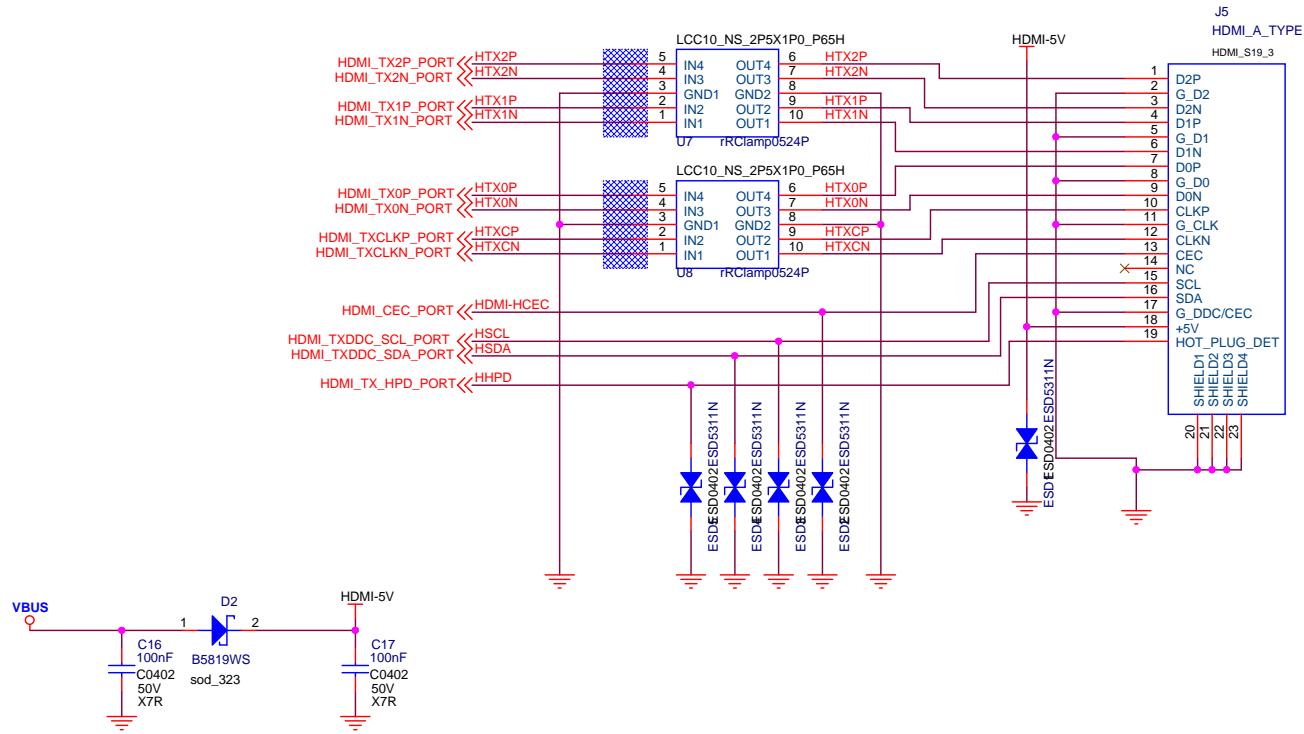
PINE64		PINE64	
Title			
SOQuartz model-A Schematic-20220522			
Size	Document Number		Rev
B			1.1
Date:	Thursday, August 11, 2022		Sheet 1 of 1

PCIE20_CLKREOn_3V3_L
 PCIE20_PERSTn_3V3_L
 PCIE20_REFCLKP_P
 PCIE20_REFCLKP_N
 PCIE20_RXP
 PCIE20_RXN
 PCIE20_TXP
 PCIE20_TXN

PCIE x1 connector



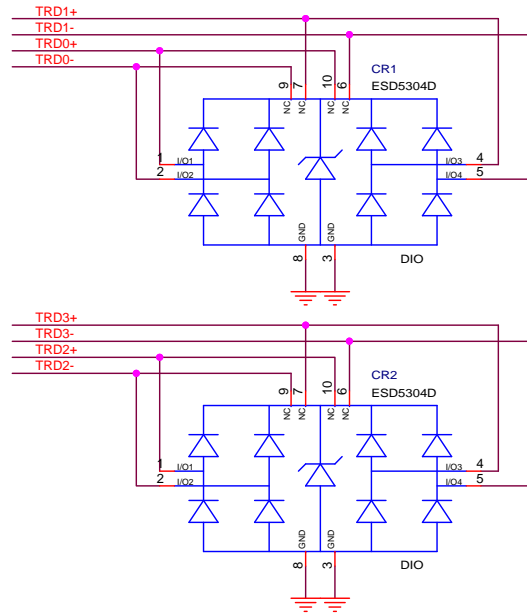
PINE64		PINE64	
Title			
SOQuartz model-A Schematic-20220522			
Size	Document Number		Rev
B			1.1
Date:	Thursday, August 11, 2022		Sheet 1 of 1



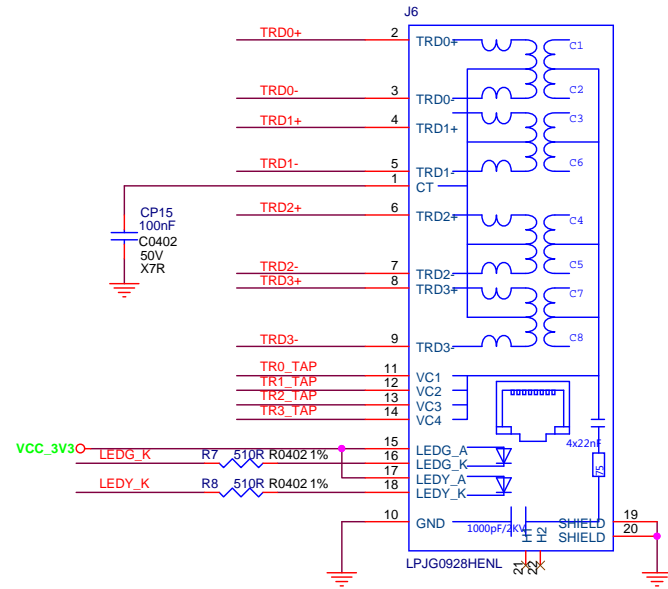
PINE64		PINE64	
Title			
SOQuartz model-A Schematic-20220522			
Size	Document Number	Rev	
B		1.1	
Date:	Friday, May 20, 2022	Sheet	1 of 1



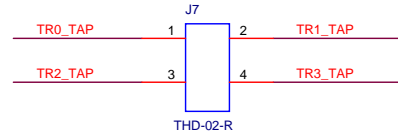
Ethernet POE Protection



Ethernet

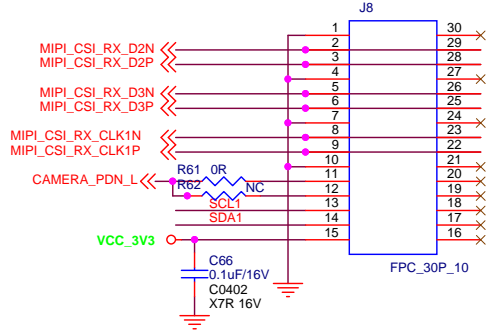


POE Header

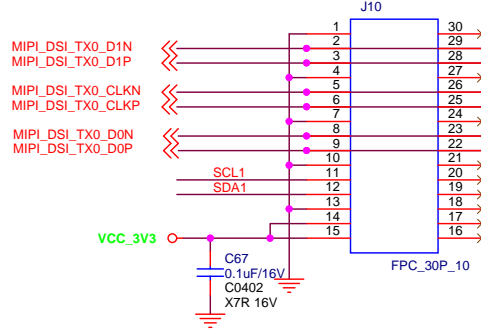


PINE64		PINE64	
Title			
SOQuartz model-A Schematic-20220522			
Size	Document Number		Rev
B			1.1
Date:	Friday, May 20, 2022	Sheet	1 of 1

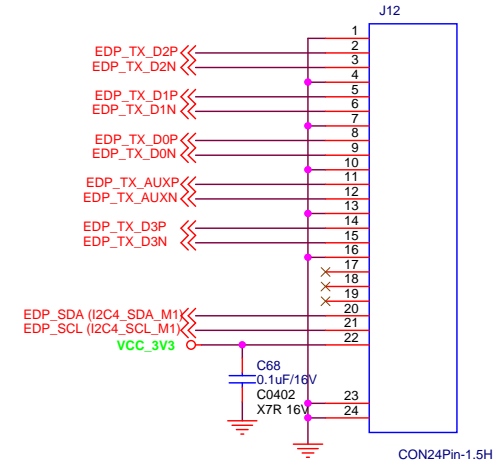
Camera Connectors



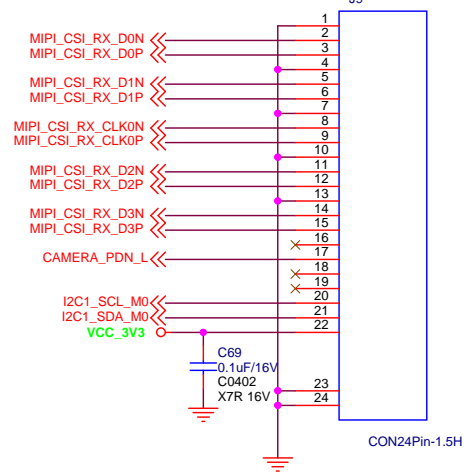
Display Connectors



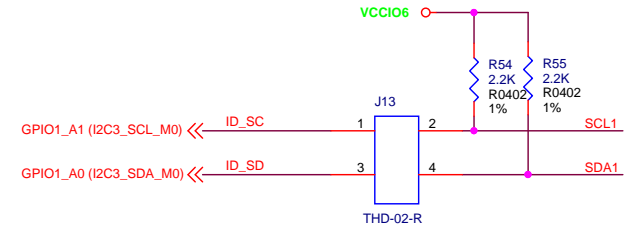
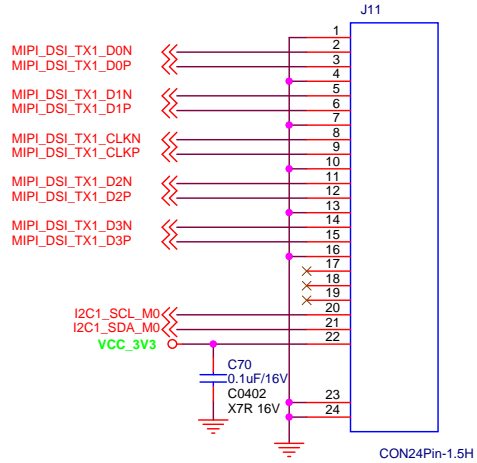
EDP signal Display Connectors



Camera Connectors



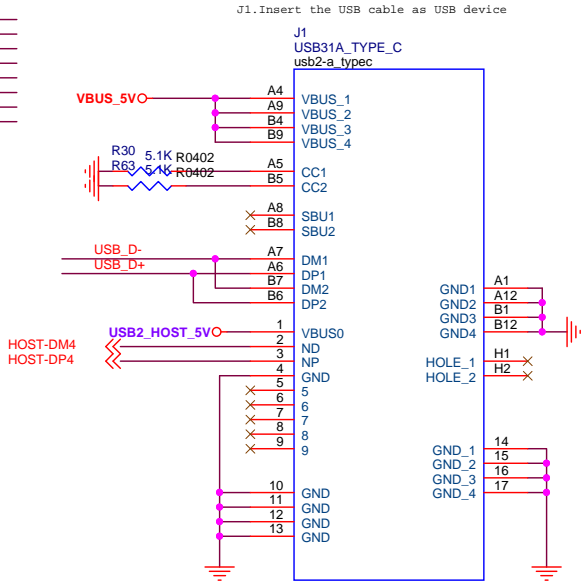
Display Connectors



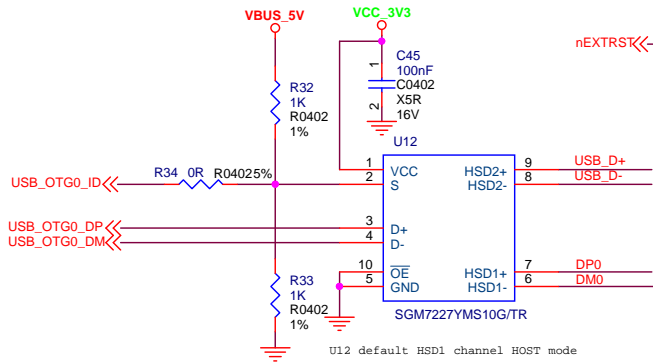
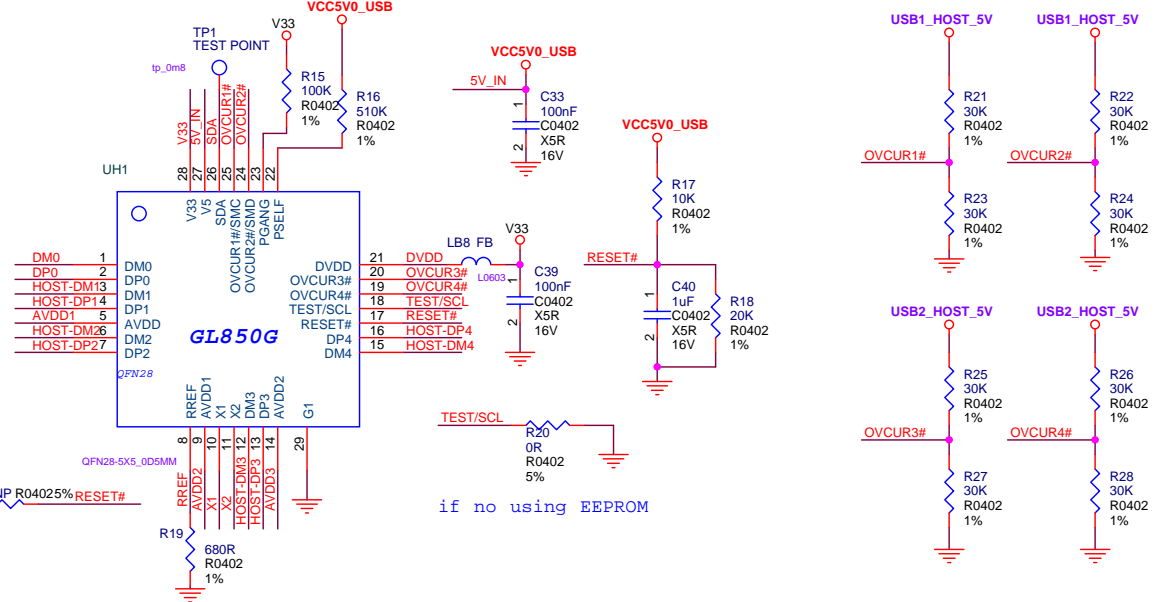
PINE64		PINE64	
Title			
SOQuartz model-A Schematic-20220522			
Size	Document Number		Rev
B			1.1
Date:	Friday, May 20, 2022	Sheet	1 of 1

USB_OTG0_ID<<
 USB_OTG0_DM<<
 USB_OTG0_DP<<
 nEXTRST<<

HOST-DM1<<
 HOST-DP1<<
 HOST-DM2<<
 HOST-DP2<<
 HOST-DM3<<
 HOST-DP3<<
 HOST-DM4<<
 HOST-DP4<<

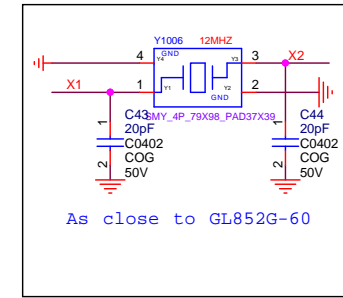
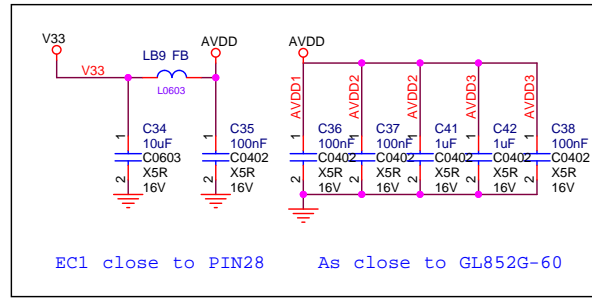


USB_HUB_USB_CONN

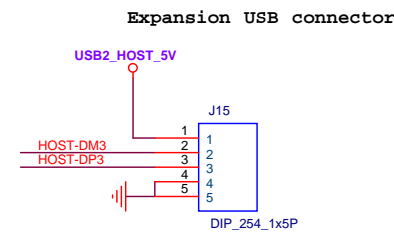
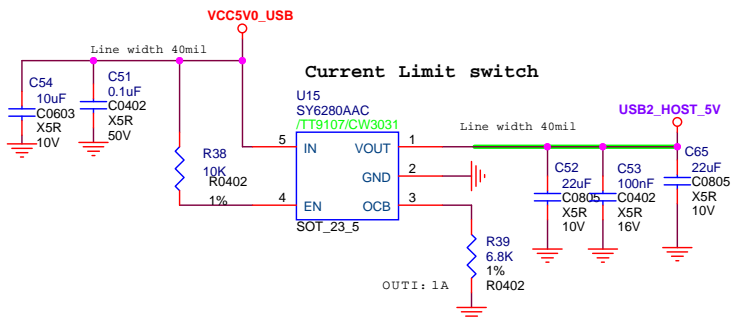
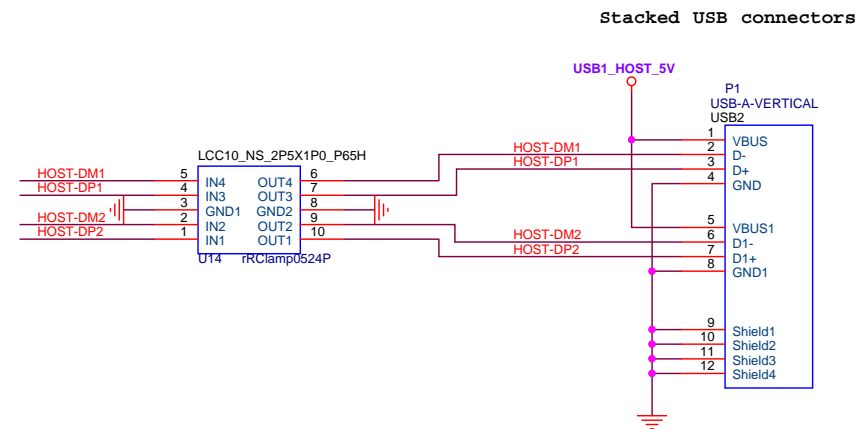
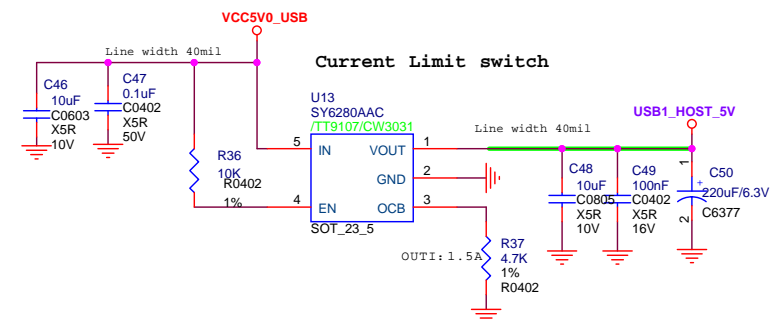


FUNCTION TABLE

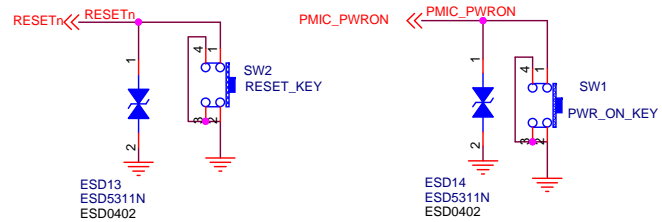
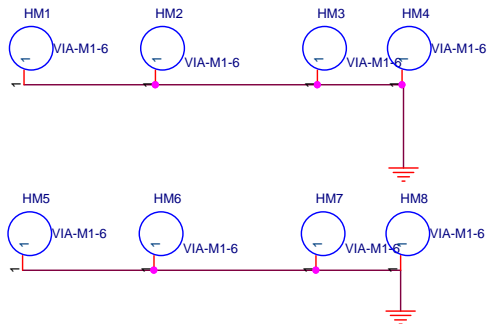
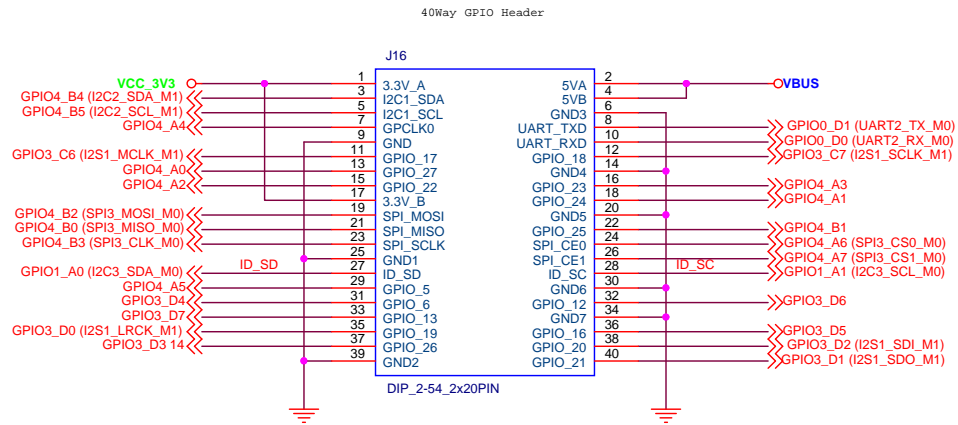
OE	S	HSD1+, HSD1-	HSD2+, HSD2-
0	0	ON	OFF
0	1	OFF	ON
1	x	OFF	OFF



As close to GL852G-60



PINE64		PINE64	
Title SOQuartz model-A Schematic-20220522			
Size B	Document Number		Rev 1.1
Date: Sunday, May 22, 2022	Sheet 1	of 1	



PINE64		PINE64	
Title			
SOQuartz model-A Schematic-20220522			
Size	Document Number		Rev
B			1.1
Date:	Friday, May 20, 2022	Sheet	1 of 1