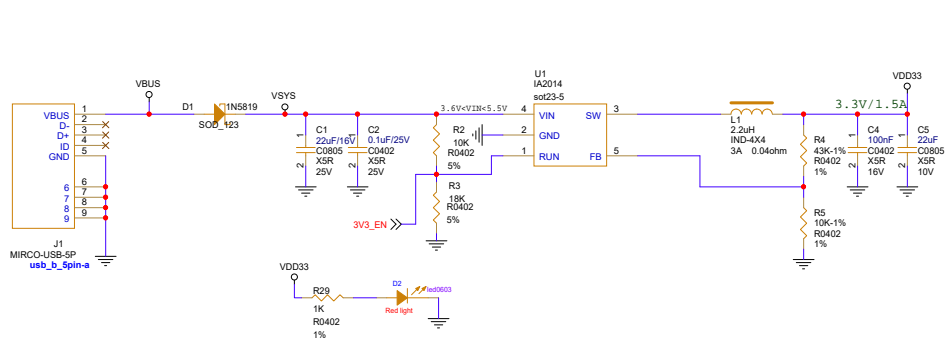
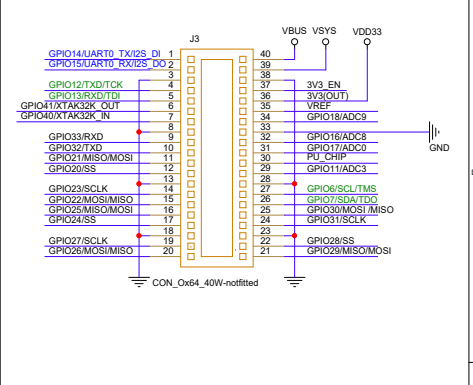
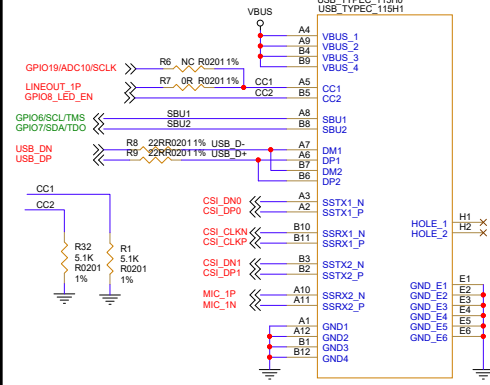


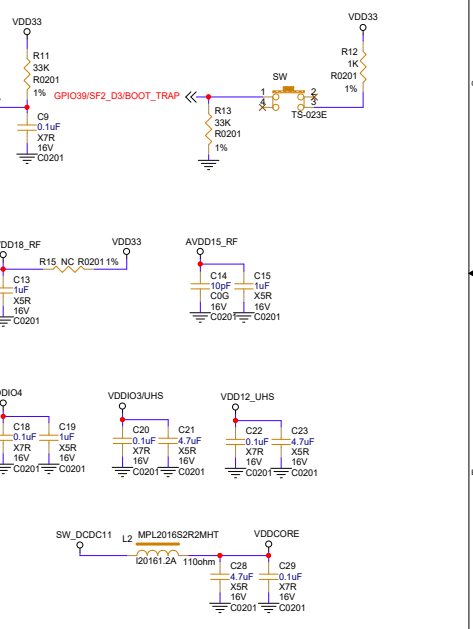
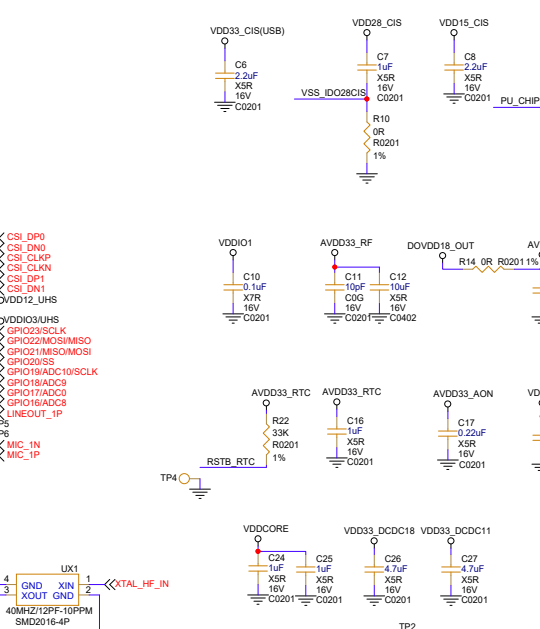
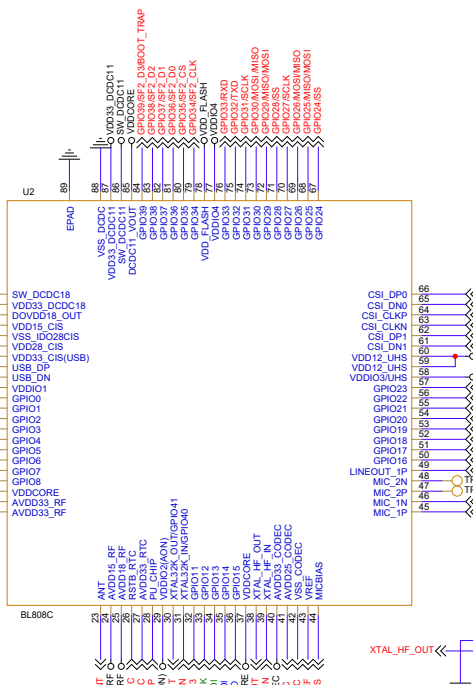
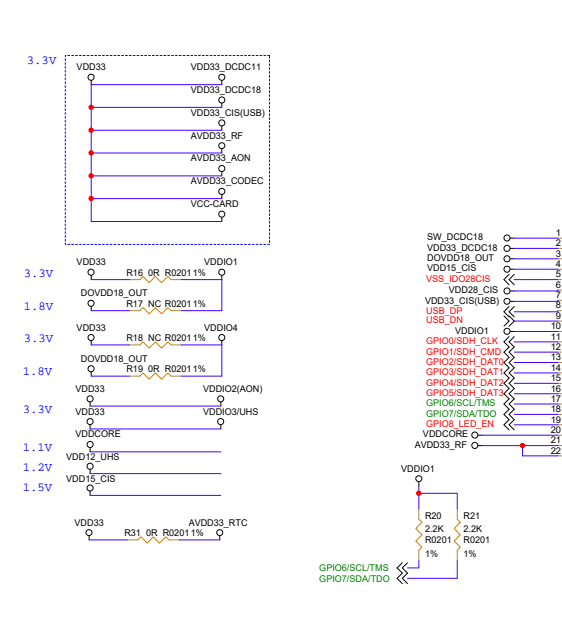
POWER



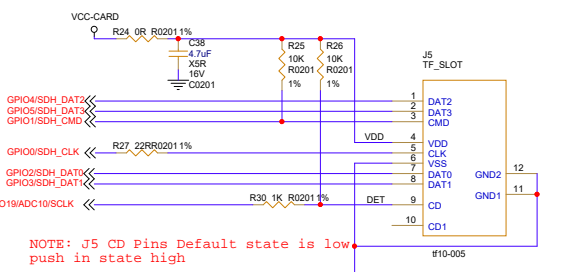
USB TYPE-C Female



MCU BL808C

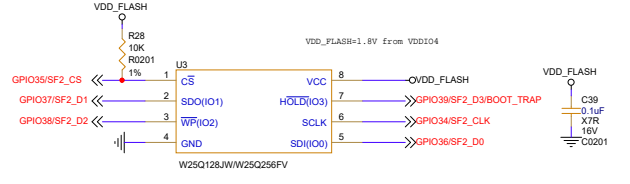


SD-CARD



NOTE: J5 CD Pins Default state is low push in state high

QSPI Flash



JTAG

