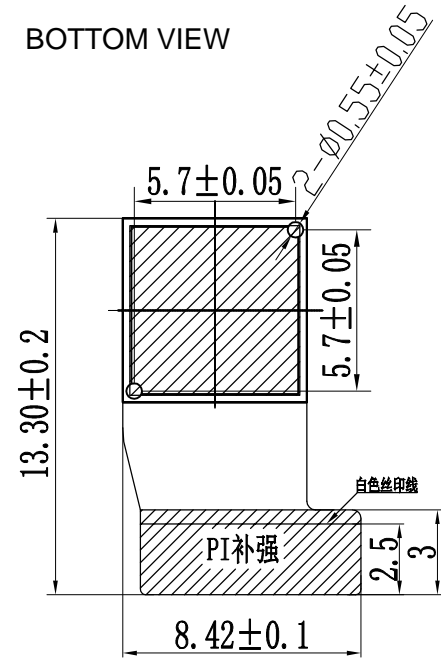
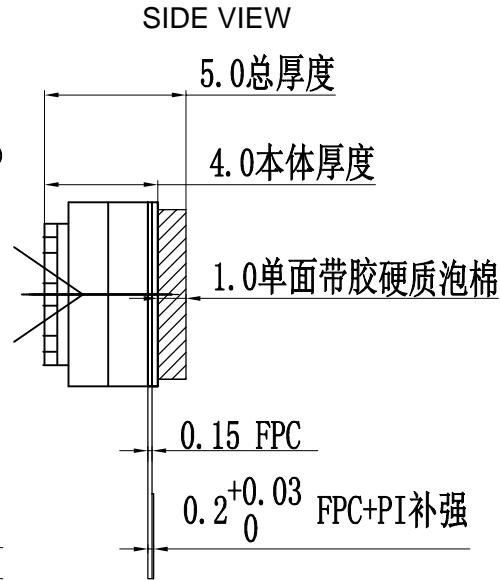
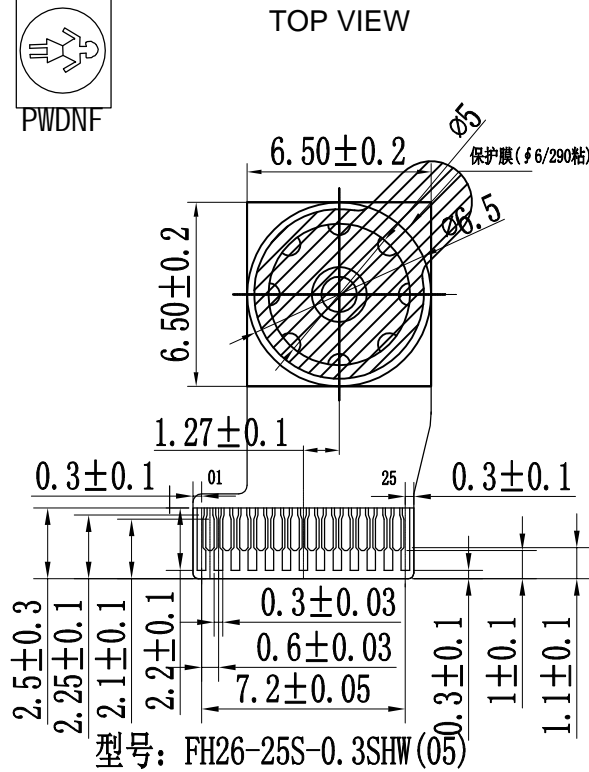
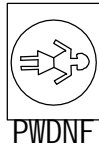


1	GND
2	GND
3	I2C_SDA
4	AVDD_2V8
5	I2C_SCL
6	RESET
7	VSYNC
8	PD
9	HSYNC
10	DVDD_1V8
11	DOVDD_2V8
12	D7
13	MCLK
14	D6
15	GND
16	D5
17	PCLK
18	D4
19	D0
20	D3
21	D1
22	D2
23	NC
24	NC
25	GND



SC2145 2MP, f/2.8, 1/5"