



SGM8557-1/SGM8557-2/SGM8557-3/SGM8557-5 15MHz, High Output Drive, High Precision, Low Noise Operational Amplifiers

GENERAL DESCRIPTION

The SGM8557-1 (single), SGM8557-3 (single with shutdown), SGM8557-2 (dual) and SGM8557-5 (dual with shutdown) high output drive CMOS operational amplifiers feature a peak output current of 240mA, rail-to-rail output capability from a single 2.7V to 5.5V supply. These amplifiers exhibit a high slew rate of 7V/ μ s and a gain-bandwidth product (GBP) of 15MHz. The SGM8557-3/5 offer a shutdown feature that drives the output low.

The SGM8557-1/2/3/5 offer low input offset voltage, low input offset voltage drift, wide bandwidth and high output drive.

The SGM8557-1 is available in Green SOIC-8, MSOP-8 and SOT-23-5 packages. The SGM8557-2 is available in a Green SOIC-8 package. The SGM8557-3 is available in Green SOIC-8 and SOT-23-6 packages. The SGM8557-5 is available in a Green MSOP-10 package. They operate over an ambient temperature range of -40°C to +125°C.

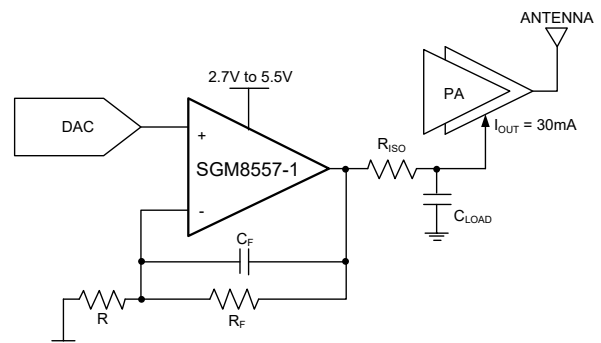
APPLICATIONS

Portable/Battery-Powered Audio Applications
Audio Hands-Free Car Phones (Kits)
Laptop/Notebook Computers/TFT Panels
Sound Ports/Cards
Set-Top Boxes
Digital-to-Analog Converter Buffers
Transformer/Line Drivers
Motor Drivers

FEATURES

- 240mA Output Drive Capability
- Rail-to-Rail Output
- Low Input Offset Voltage: 5 μ V (MAX)
- Low Input Offset Voltage Drift: 27nV/°C (TYP)
- Low Noise: 22nV/ $\sqrt{\text{Hz}}$ at 1kHz
- Over-Temperature Protection
- Supply Voltage Range: 2.7V to 5.5V
- Quiescent Supply Current:
 - 1.2mA/Amplifier (TYP)
 - 0.3 μ A Shutdown Current for SGM8557-3/5 (TYP)
- Gain-Bandwidth Product: 15MHz
- High Slew Rate: 7V/ μ s
- Voltage Gain ($R_L = 2\text{k}\Omega$): 144dB
- Power Supply Rejection Ratio: 120dB
- No Phase Reversal for Overdriven Inputs
- Small Packaging:
 - SGM8557-1 Available in Green SOIC-8, MSOP-8, and SOT-23-5 Packages
 - SGM8557-2 Available in a Green SOIC-8 Package
 - SGM8557-3 Available in Green SOIC-8 and SOT-23-6 Packages
 - SGM8557-5 Available in a Green MSOP-10 Package

TYPICAL OPERATING CIRCUIT



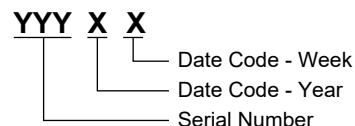
PACKAGE/ORDERING INFORMATION

MODEL	PACKAGE DESCRIPTION	SPECIFIED TEMPERATURE RANGE	ORDERING NUMBER	PACKAGE MARKING	PACKING OPTION
SGM8557-1	SOIC-8	-40°C to +125°C	SGM8557-1XS8G/TR	SGM 85571XS8 XXXXX	Tape and Reel, 2500
	MSOP-8	-40°C to +125°C	SGM8557-1XMS8G/TR	SGM85571 XMS8 XXXXX	Tape and Reel, 4000
	SOT-23-5	-40°C to +125°C	SGM8557-1AXN5G/TR	GG8XX	Tape and Reel, 3000
	SOT-23-5	-40°C to +125°C	SGM8557-1BXN5G/TR	GCEXX	Tape and Reel, 3000
SGM8557-2	SOIC-8	-40°C to +125°C	SGM8557-2XS8G/TR	SGM 85572XS8 XXXXX	Tape and Reel, 2500
SGM8557-3	SOIC-8	-40°C to +125°C	SGM8557-3XS8G/TR	SGM 85573XS8 XXXXX	Tape and Reel, 2500
	SOT-23-6	-40°C to +125°C	SGM8557-3XN6G/TR	GCFXX	Tape and Reel, 3000
SGM8557-5	MSOP-10	-40°C to +125°C	SGM8557-5XMS10G/TR	SGM85575 XMS10 XXXXX	Tape and Reel, 4000

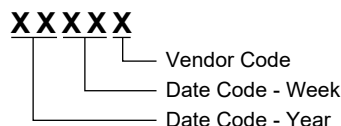
MARKING INFORMATION

NOTE: XX = Date Code. XXXXX = Date Code and Vendor Code.

SOT-23-5/SOT-23-6



SOIC-8/MSOP-8/MSOP-10



Green (RoHS & HSF): SG Micro Corp defines "Green" to mean Pb-Free (RoHS compatible) and free of halogen substances. If you have additional comments or questions, please contact your SGMICRO representative directly.

ABSOLUTE MAXIMUM RATINGS

- Supply Voltage, +Vs to -Vs.....6V
- All Other Pins..... (-Vs) - 0.3V to (+Vs) + 0.3V
- Output Short-Circuit Duration to +Vs or -Vs.....10s
- Junction Temperature.....+150°C
- Storage Temperature Range -65°C to +150°C
- Lead Temperature (Soldering, 10s).....+260°C
- ESD Susceptibility
- HBM.....7000V
- MM.....400V
- CDM 1000V

OVERSTRESS CAUTION

Stresses beyond those listed in Absolute Maximum Ratings may cause permanent damage to the device. Exposure to absolute maximum rating conditions for extended periods may affect reliability. Functional operation of the device at any conditions beyond those indicated in the Recommended Operating Conditions section is not implied.

RECOMMENDED OPERATING CONDITIONS

- Operating Temperature Range..... -40°C to +125°C
- Operating Supply Voltage Range 2.7V to 5.5V

ESD SENSITIVITY CAUTION

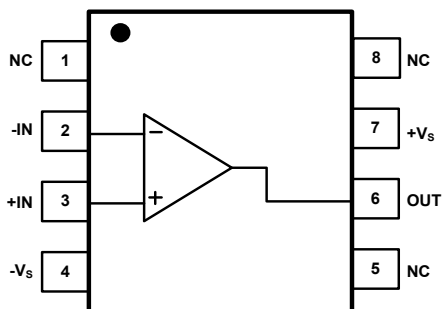
This integrated circuit can be damaged by ESD if you don't pay attention to ESD protection. SGMICRO recommends that all integrated circuits be handled with appropriate precautions. Failure to observe proper handling and installation procedures can cause damage. ESD damage can range from subtle performance degradation to complete device failure. Precision integrated circuits may be more susceptible to damage because very small parametric changes could cause the device not to meet its published specifications.

DISCLAIMER

SG Micro Corp reserves the right to make any change in circuit design, or specifications without prior notice.

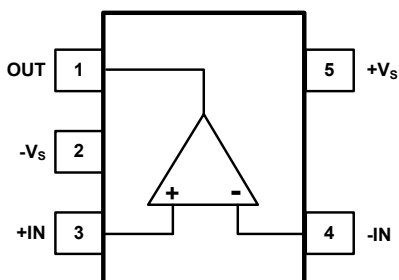
PIN CONFIGURATIONS

SGM8557-1 (TOP VIEW)



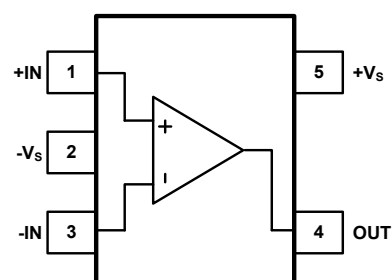
SOIC-8/MSOP-8

SGM8557-1AXN5G (TOP VIEW)



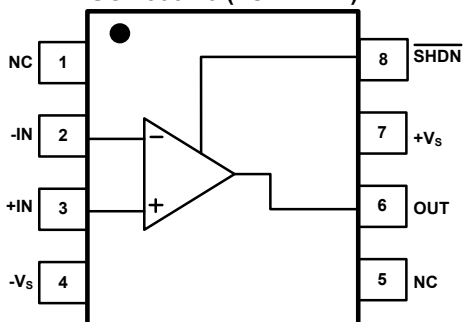
SOT-23-5

SGM8557-1BXN5G (TOP VIEW)



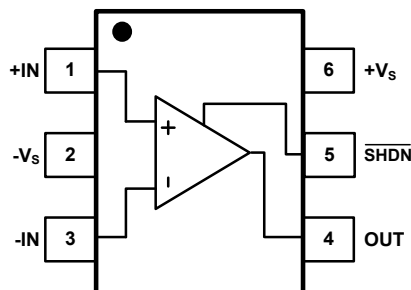
SOT-23-5

SGM8557-3 (TOP VIEW)



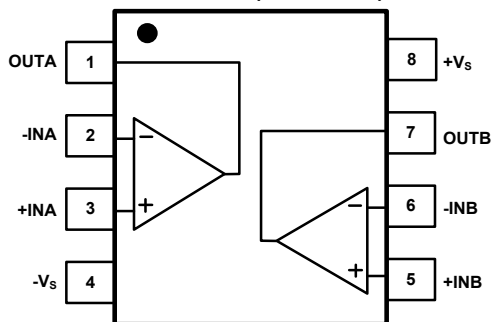
SOIC-8

SGM8557-3 (TOP VIEW)



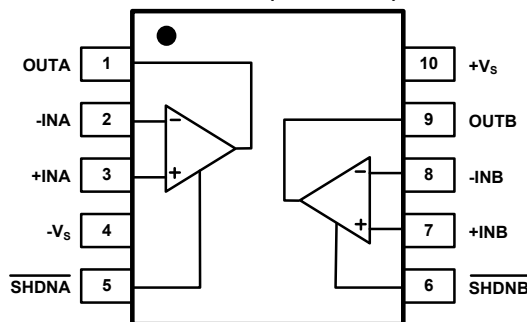
SOT-23-6

SGM8557-2 (TOP VIEW)



SOIC-8

SGM8557-5 (TOP VIEW)



MSOP-10

ELECTRICAL CHARACTERISTICS

(At T_A = +25°C, Full = -40°C to +125°C, V_S = 2.7V to 5V, -V_S = 0V, V_{CM} = V_S/2, V_{OUT} = V_S/2, R_L = ∞ connected to V_S/2, V_{SHDN} = V_S, unless otherwise noted.)

PARAMETER	SYMBOL	CONDITIONS	TEMP	MIN	TYP	MAX	UNITS	
Input Characteristics								
Input Offset Voltage	V _{OS}	V _S = 2.7V	+25°C		2.4	5	μV	
		V _S = 5V	+25°C		2.8	5		
Input Offset Voltage Drift	ΔV _{OS} /ΔT	V _S = 2.7V	Full		27	126	nV/°C	
		V _S = 5V	Full		27	130		
Input Bias Current	I _B	V _S = 2.7V, V _{CM} = V _S /2	+25°C		100		pA	
Input Offset Current	I _{OS}	V _S = 2.7V, V _{CM} = V _S /2	+25°C		100		pA	
Input Common Mode Voltage Range	V _{CM}	Inferred from CMRR test	+25°C	(-V _S)-0.1		(+V _S)+0.1	V	
Common Mode Rejection Ratio	CMRR	V _S = 2.7V, (-V _S) - 0.1V < V _{CM} < (+V _S) + 0.1V	+25°C	106	120		dB	
			Full	102				
		V _S = 5V, (-V _S) - 0.1V < V _{CM} < (+V _S) + 0.1V	+25°C	106	120			
			Full	90				
Large-Signal Voltage Gain	A _{VOL}	V _S = 2.7V, (-V _S) + 0.2V < V _{OUT} < (+V _S) - 0.2V	R _L = 2kΩ	+25°C	112	135	dB	
				Full	110			
			R _L = 200Ω	+25°C	110	136		
				Full	107			
		V _S = 5V, (-V _S) + 0.2V < V _{OUT} < (+V _S) - 0.2V	R _L = 2kΩ	+25°C	117	144		
				Full	115			
			R _L = 200Ω	+25°C	110	142		
				Full	108			
Output Characteristics								
Output Voltage Swing from Rail	V _{OUT}	V _S = 2.7V	R _L = 32Ω	+25°C		240	300	mV
				Full			370	
			R _L = 200Ω	+25°C		45	60	
				Full			72	
			R _L = 2kΩ	+25°C		5	10	
				Full			11	
		I _{OUT} = 10mA	+25°C		60	95		
			Full			115		
		V _S = 5V	R _L = 32Ω	+25°C		390	485	mV
				Full			580	
			R _L = 200Ω	+25°C		72	90	
				Full			110	
R _L = 2kΩ	+25°C			8	15			
	Full				18			
I _{OUT} = 10mA	+25°C		60	82				
	Full			98				
Short-Circuit Current Limit	I _{sc}	V _S = 2.7V	+25°C	92	120		mA	
			Full	64				
		V _S = 5V	+25°C	182	240			
			Full	148				

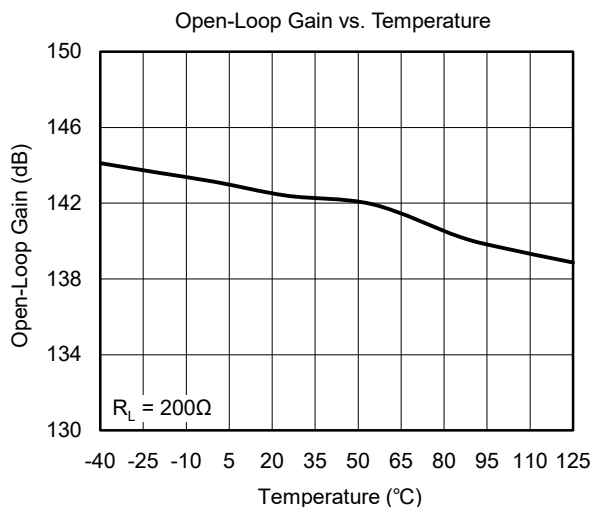
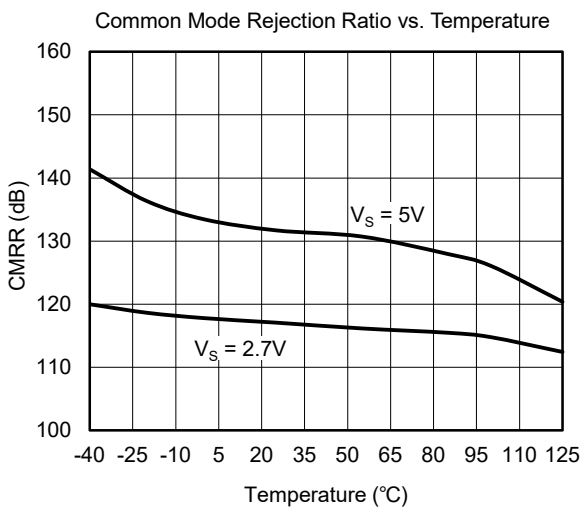
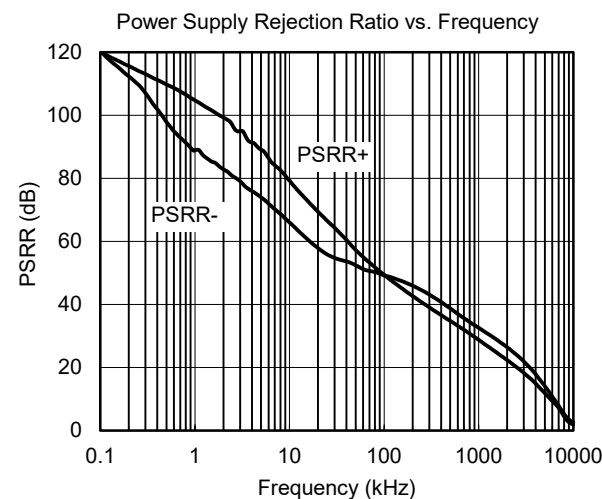
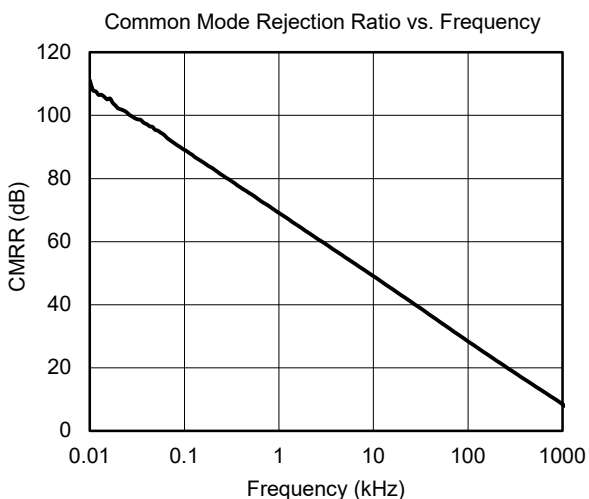
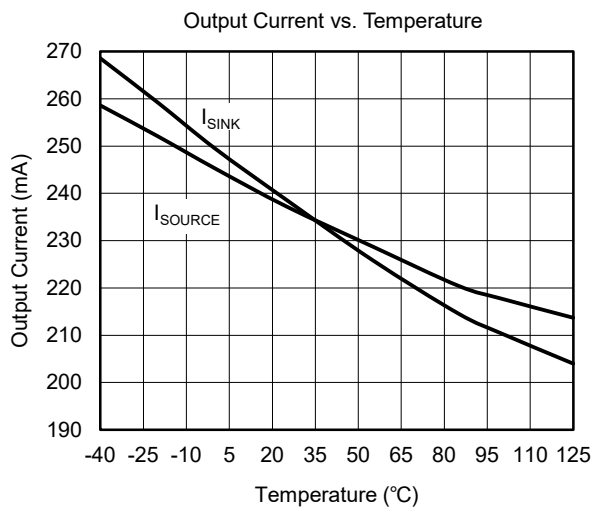
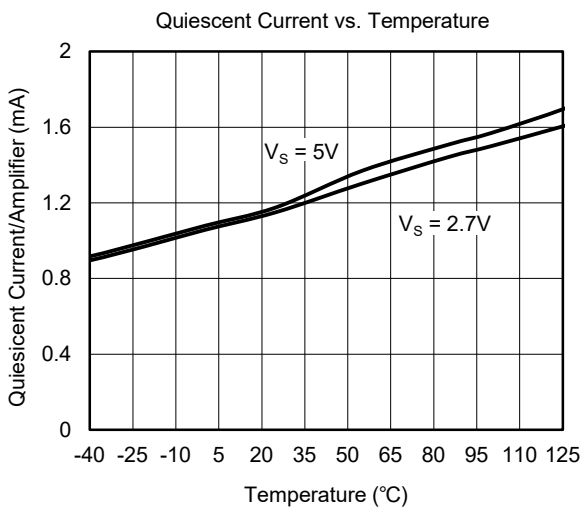
ELECTRICAL CHARACTERISTICS (continued)

(At $T_A = +25^\circ\text{C}$, Full = -40°C to $+125^\circ\text{C}$, $V_S = 2.7\text{V}$ to 5V , $-V_S = 0\text{V}$, $V_{CM} = V_S/2$, $V_{OUT} = V_S/2$, $R_L = \infty$ connected to $V_S/2$, $V_{\overline{\text{SHDN}}} = V_S$, unless otherwise noted.)

PARAMETER	SYMBOL	CONDITIONS	TEMP	MIN	TYP	MAX	UNITS
Power-Down Disable (SGM8557-3/5 Only)							
Shutdown Supply Current/Amplifier	$I_{Q(\overline{\text{SHDN}})}$	$V_{\overline{\text{SHDN}}} = 0\text{V}$, $R_L = \infty$, $V_S = 5\text{V}$	$+25^\circ\text{C}$		0.3	2	μA
$\overline{\text{SHDN}}$ Logic Threshold	V_{IL}	Shutdown mode	$+25^\circ\text{C}$			0.8	V
	V_{IH}	Normal mode	$+25^\circ\text{C}$	$(+V_S) \times 0.57$			
$\overline{\text{SHDN}}$ Input Bias Current		$-V_S < V_{\overline{\text{SHDN}}} < V_S$	$+25^\circ\text{C}$		50		pA
Shutdown Output Impedance	R_{OUT}	$V_{\overline{\text{SHDN}}} = 0\text{V}$	$+25^\circ\text{C}$		10		Ω
Output Voltage in Shutdown	$V_{OUT(\overline{\text{SHDN}})}$	$V_{\overline{\text{SHDN}}} = 0\text{V}$, $R_L = 200\Omega$	$+25^\circ\text{C}$		70		mV
Power Supply							
Supply Voltage Range	V_S	Inferred from PSRR test	$+25^\circ\text{C}$	2.7		5.5	V
Power Supply Rejection Ratio	PSRR		$+25^\circ\text{C}$	102	120		dB
			Full	94			
Quiescent Supply Current/Amplifier	I_Q	$V_S = 2.7\text{V}$, $V_{CM} = V_S/2$	$+25^\circ\text{C}$		1.15	1.62	mA
			$+25^\circ\text{C}$		1.15	1.65	
			Full			2.15	
Dynamic Performance							
Gain-Bandwidth Product	GBP	$V_{CM} = V_S/2$	$+25^\circ\text{C}$		15		MHz
Slew Rate	SR		$+25^\circ\text{C}$		7		V/ μs
Total Harmonic Distortion + Noise	THD+N	$V_S = 5\text{V}$, $R_L = 32\Omega$, $f = 10\text{kHz}$, $V_{OUT} = 2V_{P-P}$, $A_{VCL} = 1\text{V/V}$	$+25^\circ\text{C}$		0.008		%
Input Capacitance	C_{IN}		$+25^\circ\text{C}$		20		pF
Channel-to-Channel Isolation		$f = 1\text{kHz}$, $R_L = 100\text{k}\Omega$	$+25^\circ\text{C}$		-125		dB
Capacitive-Load Stability		$A_{VCL} = 1\text{V/V}$, no sustained oscillations	$+25^\circ\text{C}$		780		pF
Noise Performance							
Input Voltage Noise Density	e_n	$f = 1\text{kHz}$	$+25^\circ\text{C}$		22		nV/ $\sqrt{\text{Hz}}$
		$f = 10\text{kHz}$	$+25^\circ\text{C}$		20		
Input Voltage Noise		$f = 0.1\text{Hz}$ to 10Hz	$+25^\circ\text{C}$		0.5		μV_{P-P}

TYPICAL PERFORMANCE CHARACTERISTICS

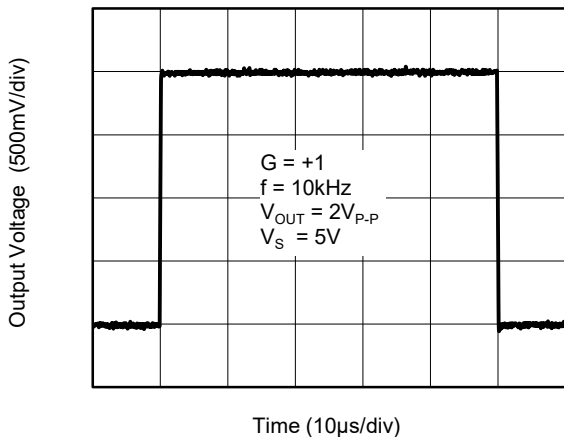
At $T_A = +25^\circ\text{C}$, $V_S = 5.0\text{V}$, unless otherwise noted.



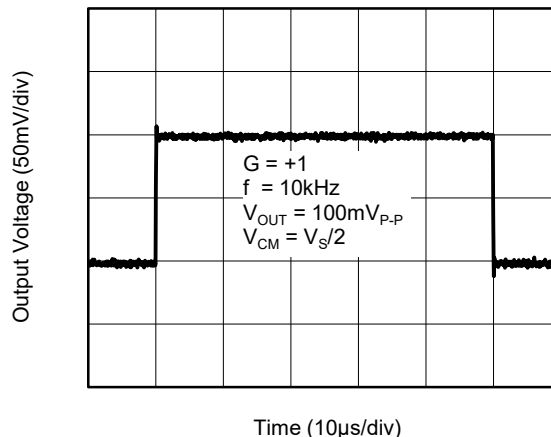
TYPICAL PERFORMANCE CHARACTERISTICS (continued)

At $T_A = +25^\circ\text{C}$, $V_S = 5.0\text{V}$, unless otherwise noted.

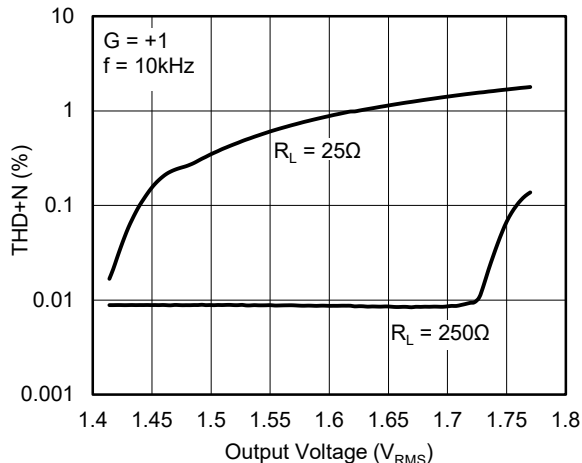
Large-Signal Step Response



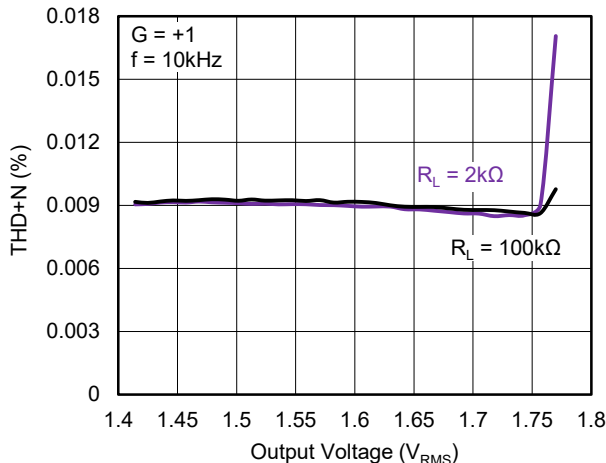
Small-Signal Step Response



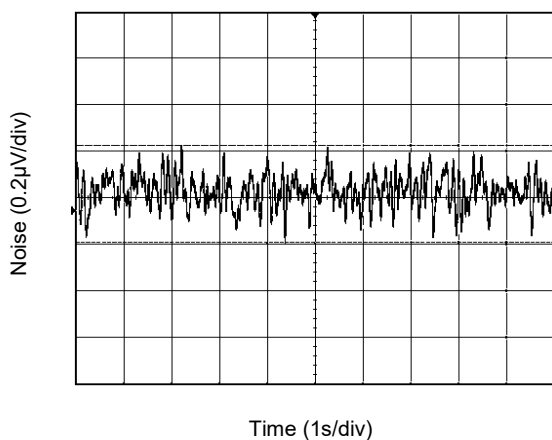
THD+N vs. Output Voltage



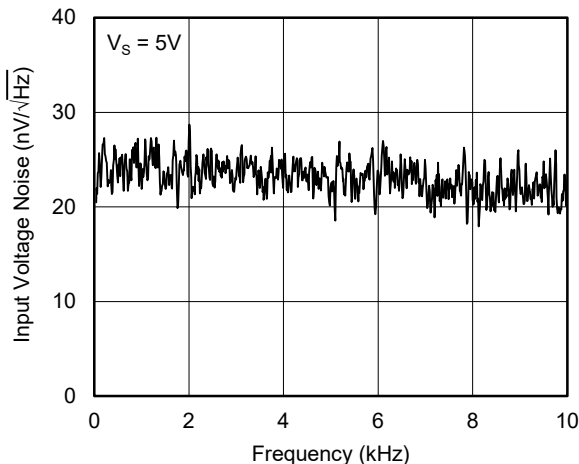
THD+N vs. Output Voltage



0.1Hz to 10Hz Noise

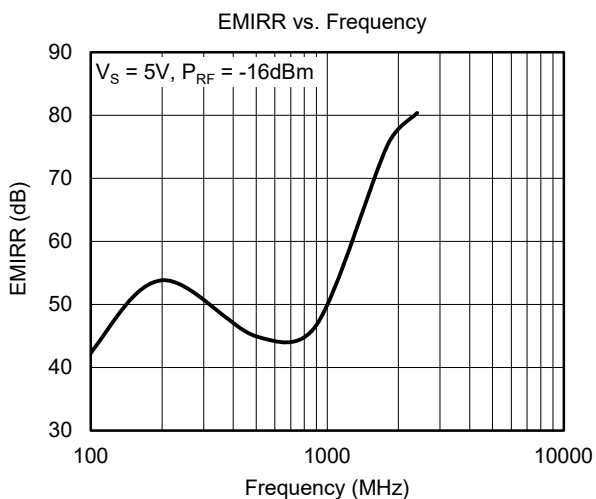
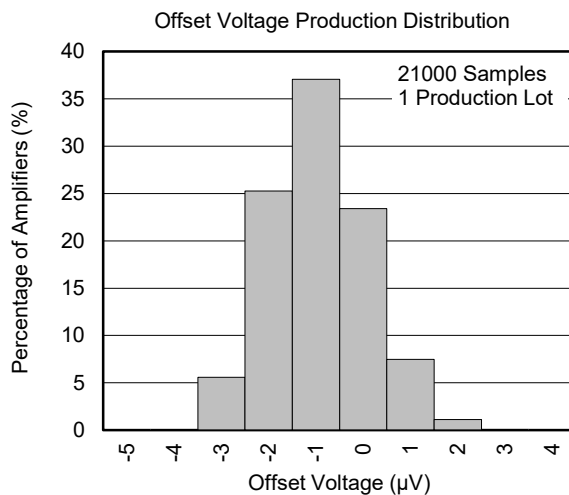
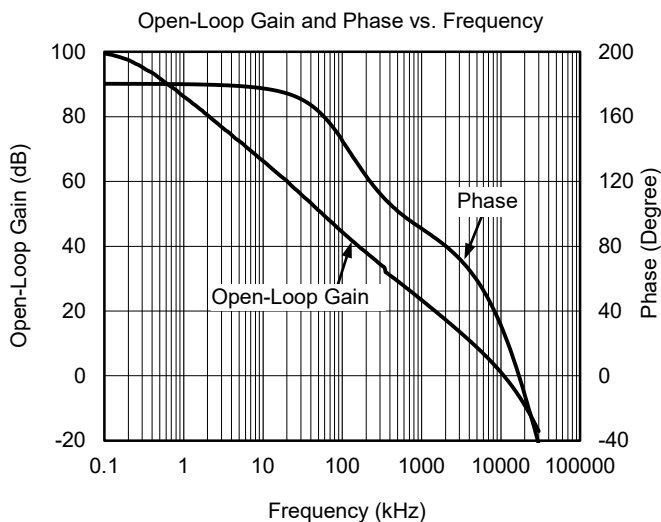


Input Voltage Noise Density vs. Frequency



TYPICAL PERFORMANCE CHARACTERISTICS (continued)

At $T_A = +25^\circ\text{C}$, $V_S = 5.0\text{V}$, unless otherwise noted.



APPLICATION INFORMATION

60mW Single-Supply Stereo Headphone Driver

The SGM8557-2 can be used as a single-supply, stereo headphone driver. The circuit shown in Figure 1 can deliver 60mW per channel with 1% distortion from a single 5V supply.

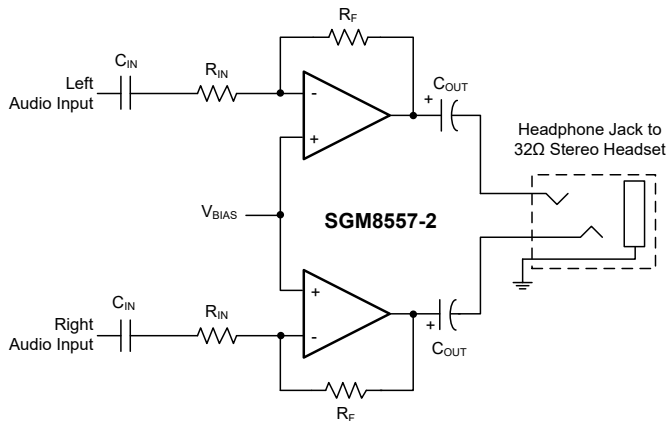


Figure 1. Circuit Example: A Single-Supply, Stereo Headphone Driver

The input capacitor (C_{IN}), in conjunction with R_{IN} , forms a high-pass filter that removes the DC bias from the incoming signal. The -3dB point of the high-pass filter is given by:

$$f_{-3dB} = \frac{1}{2\pi R_{IN} C_{IN}}$$

Choose gain-setting resistors R_{IN} and R_F according to the amount of desired gain, keeping in mind the maximum output amplitude. The output coupling capacitor (C_{OUT}), blocks the DC component of the amplifier output, preventing DC current flowing to the load. The output capacitor and the load impedance form a high-pass filter with the -3dB point determined by:

$$f_{-3dB} = \frac{1}{2\pi R_L C_{OUT}}$$

For a 32Ω load, a 100μF aluminum electrolytic capacitor gives a low-frequency pole at 50Hz.

Rail-to-Rail Output Stage

The minimum output is within millivolts of ground for single-supply operation, where the load is referenced to ground ($-V_S$). The maximum output voltage swing is load dependent.

Observe the Absolute Maximum Ratings for power dissipation and output short-circuit duration because the output current can exceed 240mA.

Bridge Amplifier

The circuit shown in Figure 2 uses an SGM8557-2 to implement a 3V, 200mW amplifier suitable for use in size-constrained applications. This configuration eliminates the need for the large coupling capacitor required by the single operational amplifier speaker driver when single-supply operation is necessary. Voltage gain is set to 10V/V; however, it can be changed by adjusting the 82kΩ resistor value.

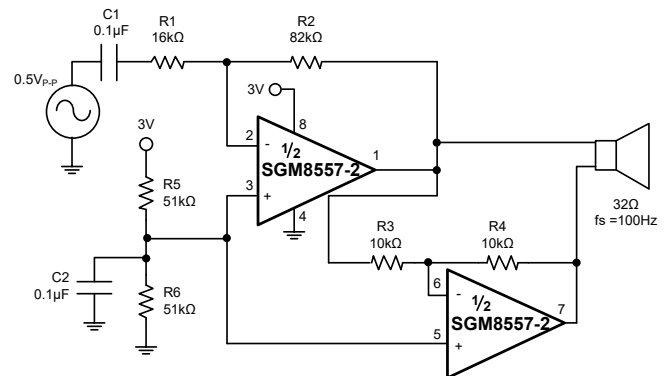


Figure 2. SGM8557-2 Bridge Amplifier for 200mW at 3V

APPLICATIONS INFORMATION (continued)

Input Capacitance

One consequence of the parallel-connected differential input stages is a relatively large input capacitance C_{IN} (20pF TYP). This introduces a pole at frequency $(2\pi R' C_{IN})^{-1}$, where R' is the parallel combination of the gain-setting resistors for the inverting or non-inverting amplifier configuration (Figure 3). If the pole frequency is less than or comparable to the unity-gain bandwidth (15MHz), the phase margin is reduced, and the amplifier exhibits degraded AC performance through either ringing in the step response or sustained oscillations. The pole frequency is 10MHz when $R' = 2k\Omega$. To maximize stability, $R' \ll 2k\Omega$ is recommended.

To improve step response when $R' > 2k\Omega$, connect small capacitor C_F between the inverting input and output. Choose C_F as follows:

$$C_F = 8(R/R_F) \text{ [pF]}$$

where R_F is the feedback resistor and R is the gain-setting resistor (Figure 3).

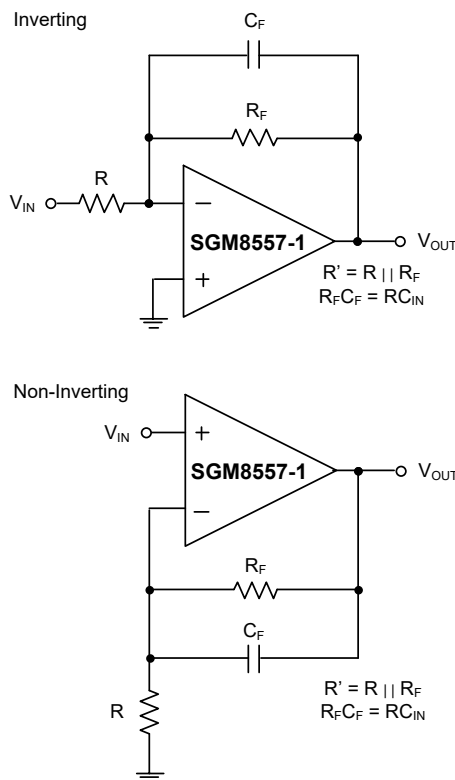


Figure 3. Inverting and Non-Inverting Amplifiers with Feedback Compensation

Driving Capacitive Loads

The SGM8557-1/2/3/5 have a high tolerance for capacitive loads. They are stable with capacitive loads up to 780pF. Figure 4 shows the transient response with capacitive loads (780pF), with and without the addition of an isolation resistor in series with the output. Figure 5 shows a typical non-inverting capacitive-load-driving circuit in the unity-gain configuration.

The resistor improves the circuit's phase margin by isolating the load capacitor from the operational amplifier's output.

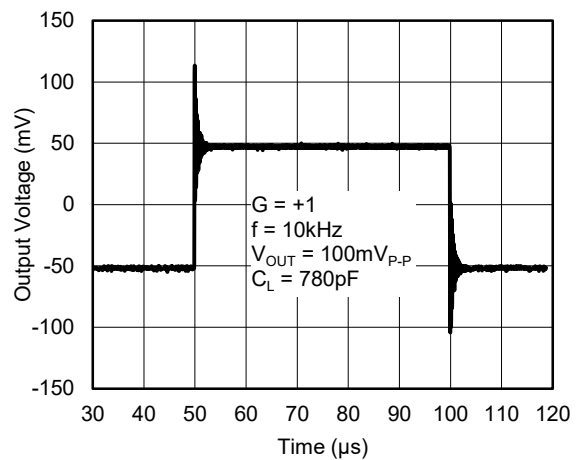


Figure 4. Small-Signal Transient Response with Capacitive Load

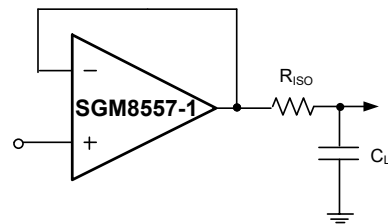


Figure 5. Capacitive-Load-Driving Circuit

APPLICATIONS INFORMATION (continued)

Power-Up and Shutdown Modes

The SGM8557-3/5 have a shutdown option. When the shutdown pin ($\overline{\text{SHDN}}$) is pulled low, supply current drops to $0.3\mu\text{A}$ per amplifier ($V_S = 5\text{V}$), the amplifiers are disabled, and their outputs are driven to $-V_S$. Since the outputs are actively driven to $-V_S$ in shutdown, any pull-up resistor on the output causes a current drain from the supply. Pulling $\overline{\text{SHDN}}$ high enables the amplifier. In the dual SGM8557-5, the two amplifiers shut down independently. Figure 6 shows the SGM8557-3's output voltage to a shutdown pulse. The SGM8557-1/2/3/5 typically settle within $5\mu\text{s}$ after power-up.

When exiting shutdown, there is a $6\mu\text{s}$ delay before the amplifier's output becomes active (Figure 6).

Power Supplies and Layout

The SGM8557-1/2/3/5 can operate from a single 2.7V to 5.5V supply, or from dual $\pm 1.35\text{V}$ to $\pm 2.75\text{V}$ supplies. For single-supply operation, bypass the power supply with a $0.1\mu\text{F}$ ceramic capacitor. For dual-supply operation, bypass each supply to ground. Good layout improves performance by decreasing the amount of stray capacitance at the operational amplifiers' inputs and outputs. Decrease stray capacitance by placing external components close to the operational amplifiers' pins, minimizing trace and lead lengths.

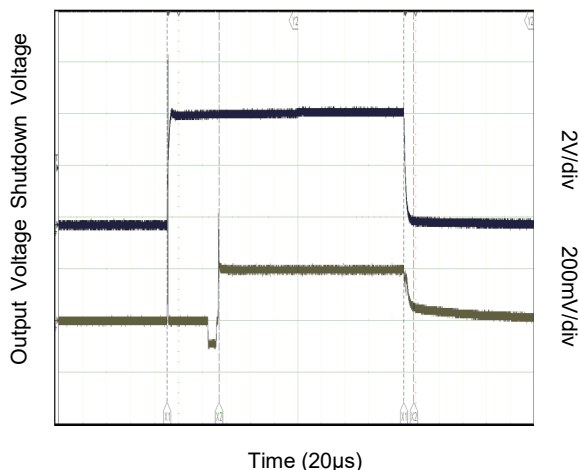


Figure 6. Shutdown Output Voltage Enable/Disable

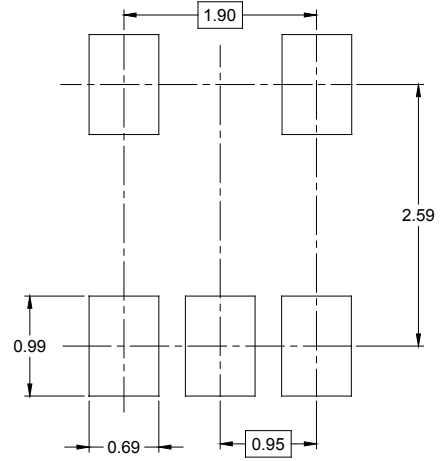
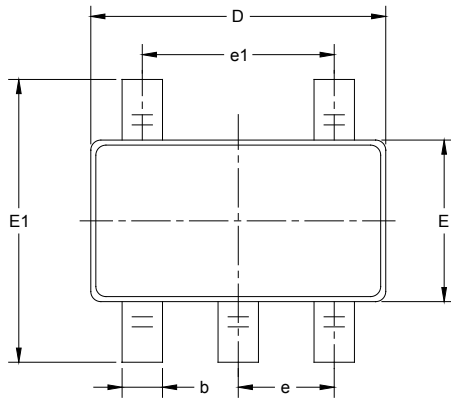
REVISION HISTORY

NOTE: Page numbers for previous revisions may differ from page numbers in the current version.

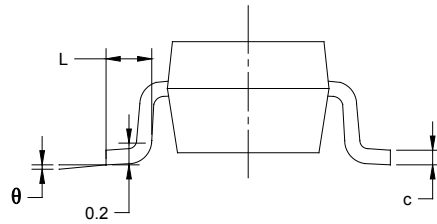
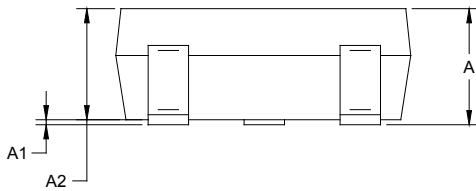
	Page
<hr/>	
OCTOBER 2019 – REV.A.3 to REV.A.4	Page
Updated Marking Information section.....	2
<hr/>	
JANUARY 2019 – REV.A.2 to REV.A.3	Page
Changed Figure 2.....	9
<hr/>	
DECEMBER 2017 – REV.A.1 to REV.A.2	Page
Added Typical Performance Characteristics.....	8
<hr/>	
NOVEMBER 2017 – REV.A to REV.A.1	Page
Changed Electrical Characteristics section	4
Changed Typical Performance Characteristics section	7, 8
<hr/>	
Changes from Original (DECEMBER 2016) to REV.A	Page
Changed from product preview to production data.....	All
<hr/>	

PACKAGE OUTLINE DIMENSIONS

SOT-23-5



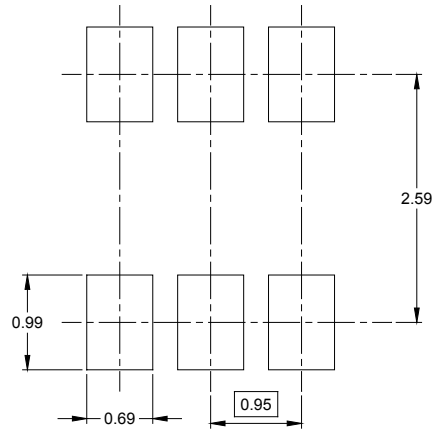
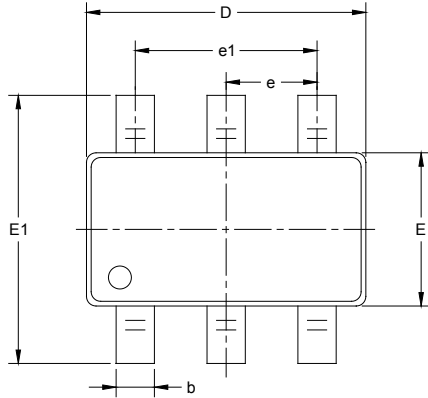
RECOMMENDED LAND PATTERN (Unit: mm)



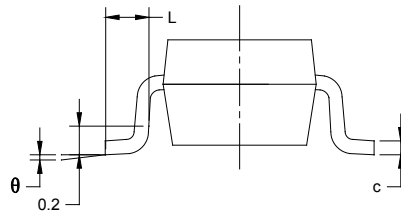
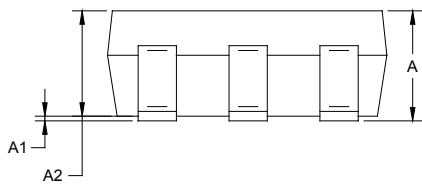
Symbol	Dimensions In Millimeters		Dimensions In Inches	
	MIN	MAX	MIN	MAX
A	1.050	1.250	0.041	0.049
A1	0.000	0.100	0.000	0.004
A2	1.050	1.150	0.041	0.045
b	0.300	0.500	0.012	0.020
c	0.100	0.200	0.004	0.008
D	2.820	3.020	0.111	0.119
E	1.500	1.700	0.059	0.067
E1	2.650	2.950	0.104	0.116
e	0.950 BSC		0.037 BSC	
e1	1.900 BSC		0.075 BSC	
L	0.300	0.600	0.012	0.024
θ	0°	8°	0°	8°

PACKAGE OUTLINE DIMENSIONS

SOT-23-6



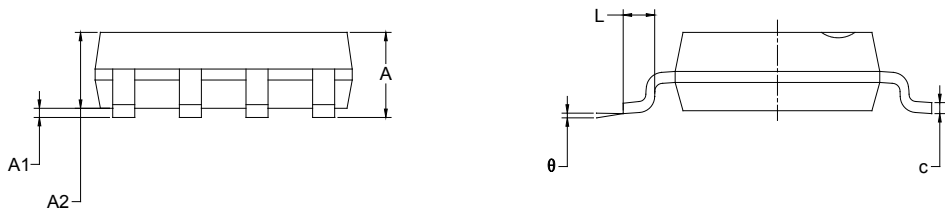
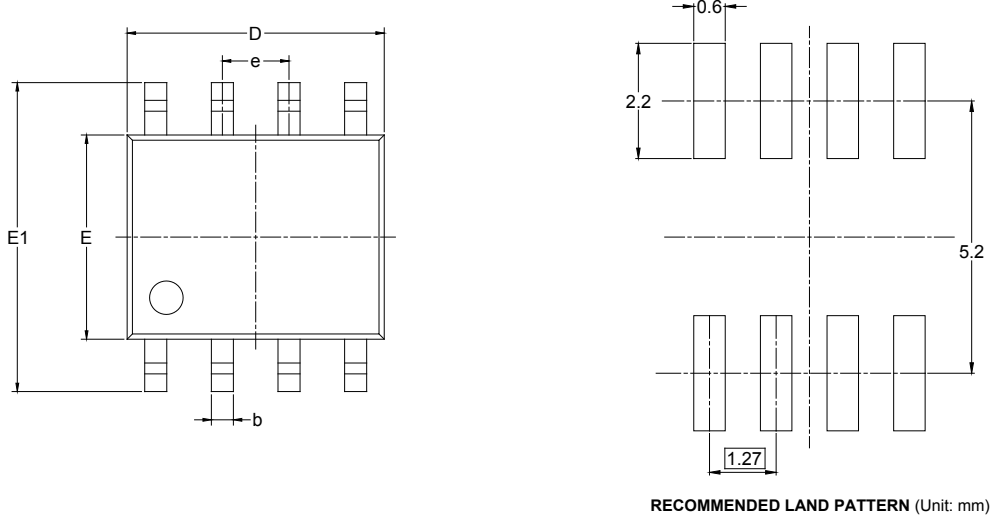
RECOMMENDED LAND PATTERN (Unit: mm)



Symbol	Dimensions In Millimeters		Dimensions In Inches	
	MIN	MAX	MIN	MAX
A	1.050	1.250	0.041	0.049
A1	0.000	0.100	0.000	0.004
A2	1.050	1.150	0.041	0.045
b	0.300	0.500	0.012	0.020
c	0.100	0.200	0.004	0.008
D	2.820	3.020	0.111	0.119
E	1.500	1.700	0.059	0.067
E1	2.650	2.950	0.104	0.116
e	0.950 BSC		0.037 BSC	
e1	1.900 BSC		0.075 BSC	
L	0.300	0.600	0.012	0.024
θ	0°	8°	0°	8°

PACKAGE OUTLINE DIMENSIONS

SOIC-8



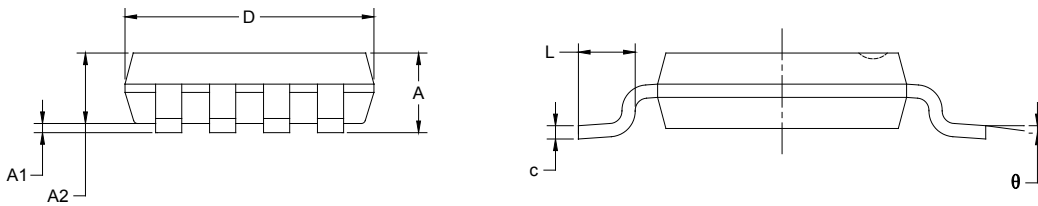
Symbol	Dimensions In Millimeters		Dimensions In Inches	
	MIN	MAX	MIN	MAX
A	1.350	1.750	0.053	0.069
A1	0.100	0.250	0.004	0.010
A2	1.350	1.550	0.053	0.061
b	0.330	0.510	0.013	0.020
c	0.170	0.250	0.006	0.010
D	4.700	5.100	0.185	0.200
E	3.800	4.000	0.150	0.157
E1	5.800	6.200	0.228	0.244
e	1.27 BSC		0.050 BSC	
L	0.400	1.270	0.016	0.050
θ	0°	8°	0°	8°

PACKAGE OUTLINE DIMENSIONS

MSOP-8



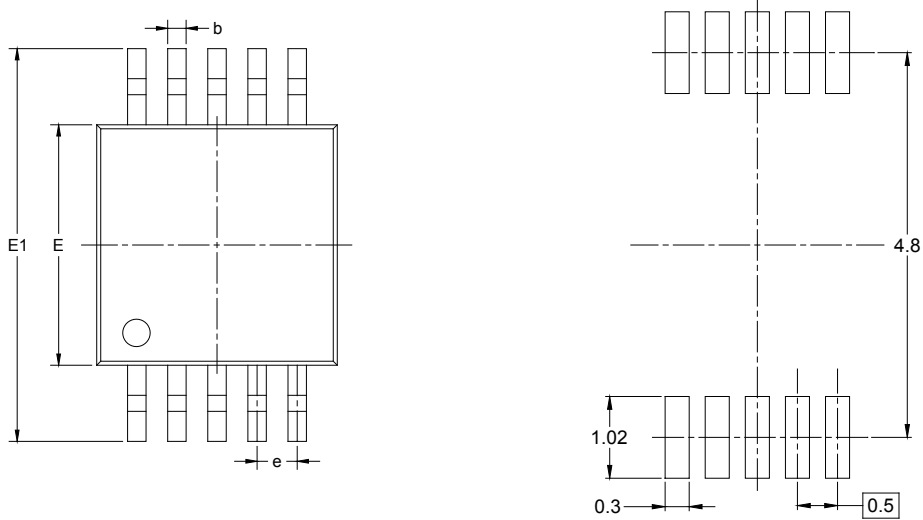
RECOMMENDED LAND PATTERN (Unit: mm)



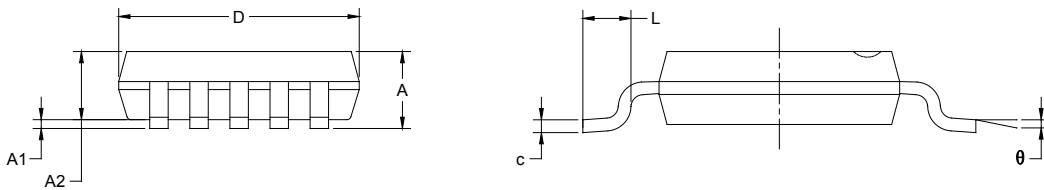
Symbol	Dimensions In Millimeters		Dimensions In Inches	
	MIN	MAX	MIN	MAX
A	0.820	1.100	0.032	0.043
A1	0.020	0.150	0.001	0.006
A2	0.750	0.950	0.030	0.037
b	0.250	0.380	0.010	0.015
c	0.090	0.230	0.004	0.009
D	2.900	3.100	0.114	0.122
E	2.900	3.100	0.114	0.122
E1	4.750	5.050	0.187	0.199
e	0.650 BSC		0.026 BSC	
L	0.400	0.800	0.016	0.031
θ	0°	6°	0°	6°

PACKAGE OUTLINE DIMENSIONS

MSOP-10



RECOMMENDED LAND PATTERN (Unit: mm)

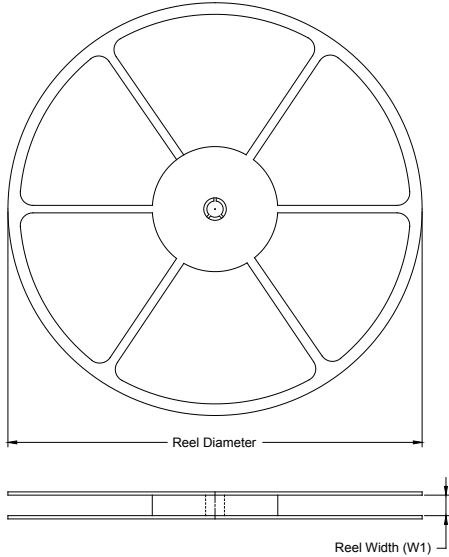


Symbol	Dimensions In Millimeters		Dimensions In Inches	
	MIN	MAX	MIN	MAX
A	0.820	1.100	0.032	0.043
A1	0.020	0.150	0.001	0.006
A2	0.750	0.950	0.030	0.037
b	0.180	0.280	0.007	0.011
c	0.090	0.230	0.004	0.009
D	2.900	3.100	0.114	0.122
E	2.900	3.100	0.114	0.122
E1	4.750	5.050	0.187	0.199
e	0.500 BSC		0.020 BSC	
L	0.400	0.800	0.016	0.031
θ	0°	6°	0°	6°

PACKAGE INFORMATION

TAPE AND REEL INFORMATION

REEL DIMENSIONS



TAPE DIMENSIONS



NOTE: The picture is only for reference. Please make the object as the standard.

KEY PARAMETER LIST OF TAPE AND REEL

Package Type	Reel Diameter	Reel Width W1 (mm)	A0 (mm)	B0 (mm)	K0 (mm)	P0 (mm)	P1 (mm)	P2 (mm)	W (mm)	Pin1 Quadrant
SOT-23-5	7"	9.5	3.20	3.20	1.40	4.0	4.0	2.0	8.0	Q3
SOT-23-6	7"	9.5	3.17	3.23	1.37	4.0	4.0	2.0	8.0	Q3
SOIC-8	13"	12.4	6.40	5.40	2.10	4.0	8.0	2.0	12.0	Q1
MSOP-8	13"	12.4	5.20	3.30	1.50	4.0	8.0	2.0	12.0	Q1
MSOP-10	13"	12.4	5.20	3.30	1.20	4.0	8.0	2.0	12.0	Q1

D20001

PACKAGE INFORMATION

CARTON BOX DIMENSIONS



NOTE: The picture is only for reference. Please make the object as the standard.

KEY PARAMETER LIST OF CARTON BOX

Reel Type	Length (mm)	Width (mm)	Height (mm)	Pizza/Carton
7" (Option)	368	227	224	8
7"	442	410	224	18
13"	386	280	370	5

DD0002