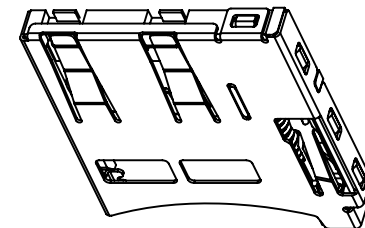
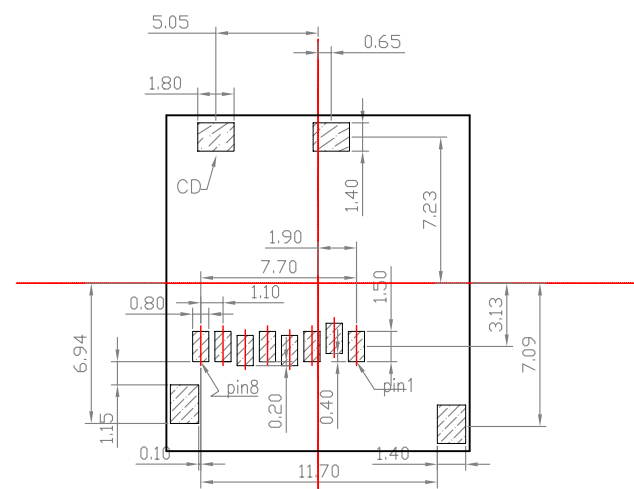
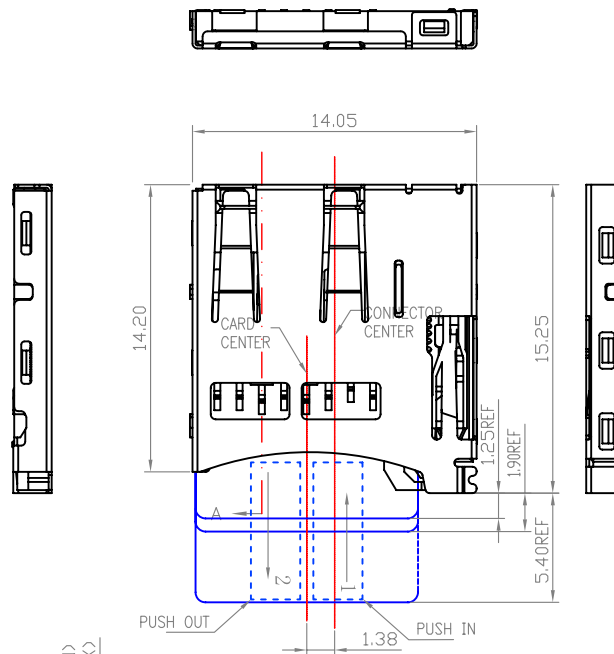
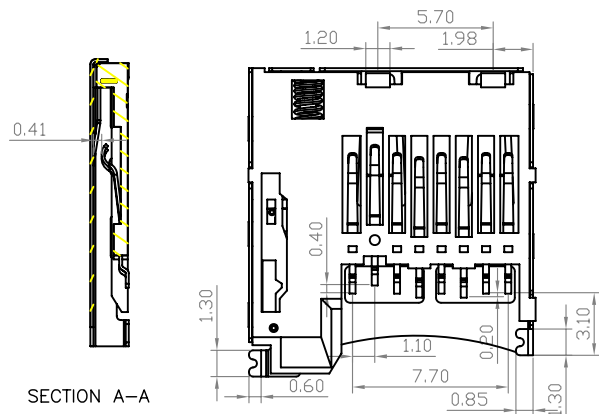


RoHS

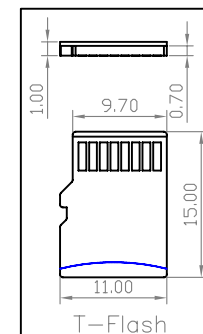
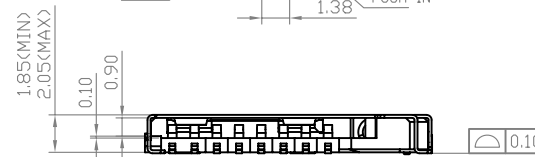


NOTES:

- MATERIAL:
HOUSING: HIGH TEMPERATURE THERMOPLASTIC UL94V_0,COLOR:BLACK.
CONTACT: COPPER ALLOYS.
COVER: COPPER ALLOYS OR STEEL.
- PLATING:
UNDERPLATE: NICKEL.
CONTACT AREA: GOLD OVER NICKEL.
SOLDER AREA: TIN OVER NICKEL.
- MULTIMEDIA CARD COMPATIBLE



RECOMMENDED P.C.B HOLE LAYOUT COMPONENT SIDE VIEW(TOLERANCE: +/-0.05)



PIN NO.	NAME	YTYPE	DESCRIPTION
1	DAT2	I/O/PP	DATE LINE(BIT2)
2	CD/DAT3	I/O/PP	CARD DETECT DATE LIN(BIT3)
3	CMD	PP	COMMAND RESPONSE
4	VDD	S	SUPPLY VOLTAGE
5	CLX	I	CLOCK
6	VSS	S	SUPPLY VOLTAGE GROUND
7	DAT0	I/O/PP	DATE LINE(BIT0)
8	DAT1	I/O/PP	DATE LINE(DIT1)

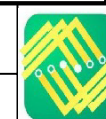
TOLERANCES:
X.X ±0.3
X.XX ±0.25
X.XXX ±0.15
GENERAL ANGLE:
X.X ±2°
X.XX ±1°

TITLE:
TF PUSH 内焊常闭型

DRAWN: 吴迪 UNITS: mm

CHECKED: 马跃 SCALE: 2:1

APPROVAL: 陈一鸣 REV: A/0



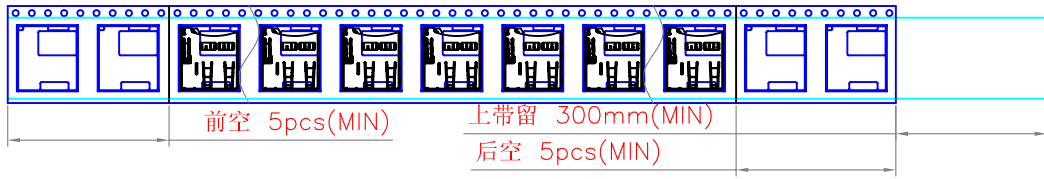
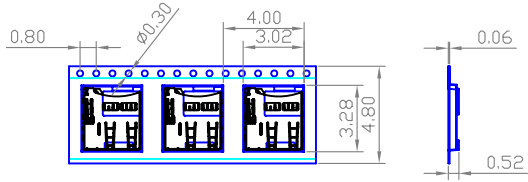
深圳市威鑫联电子有限公司
Woxconn Electronics Co., Ltd

PART NO: WXL40-TF10-005

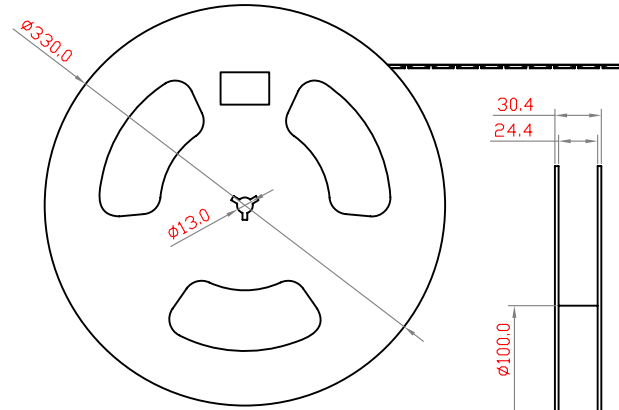
DRAWING NO: WXL-TF13090501

SHEET NO: 1 OF 2

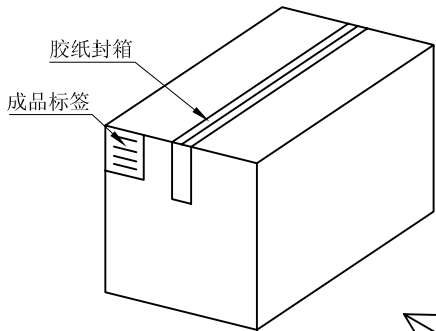
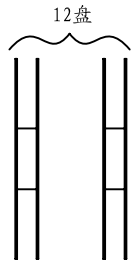
RoHS



NO. 1

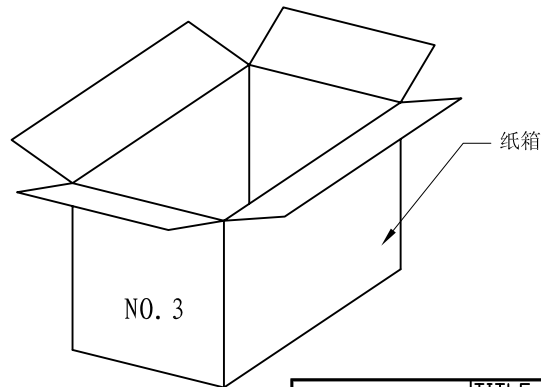


NO. 2




纸箱规格: 330*330*385

NO. 4



NO. 3

1. 材质要求:
- 1.1 纸箱的材质为B=B; 外形尺寸为33*33*38.5CM;
 - 1.2 卷盘的材质为PVC, 卷盘的外形尺寸为 ϕ 330*30.4;
 - 1.3 卷带的材质为PVC, 卷带的外形尺寸为20200*24.00*2.6mm
2. 包装要求:
- 2.1 将卷带放入包装机后, 前空5PCS, 后放产品1000PCS, 再后空5PCS; 上带留300MM长度。
 - 2.2 将包装好的产品从包装机上取下并包装好;
 - 2.3 把累叠好的12盘叠放入纸箱中共计12Kset;
 - 2.4 把包装好的成品打包封箱, 并在纸箱外贴上标签

TOLERANCES: X.X \pm 0.3 X.XX \pm 0.25 X.XXX \pm 0.15 GENERAL ANGLE: X.X \pm 2° X.XX \pm 1°	TITLE: TF PUSH 内焊常闭型		 深圳市威鑫联电子有限公司 Woxconn Electronics Co., Ltd	
	DRAWN: 吴迪	UNITS: mm		PART NO: HYC40-TF10-005
	CHECKED: 马跃	SCALE: 2:1		DRAWING NO: HYC-TF13090501
	APPROVAL: 陈一鸣	REV: A/0		SHEET NO: 2 OF 2