

VERSION HISTORY

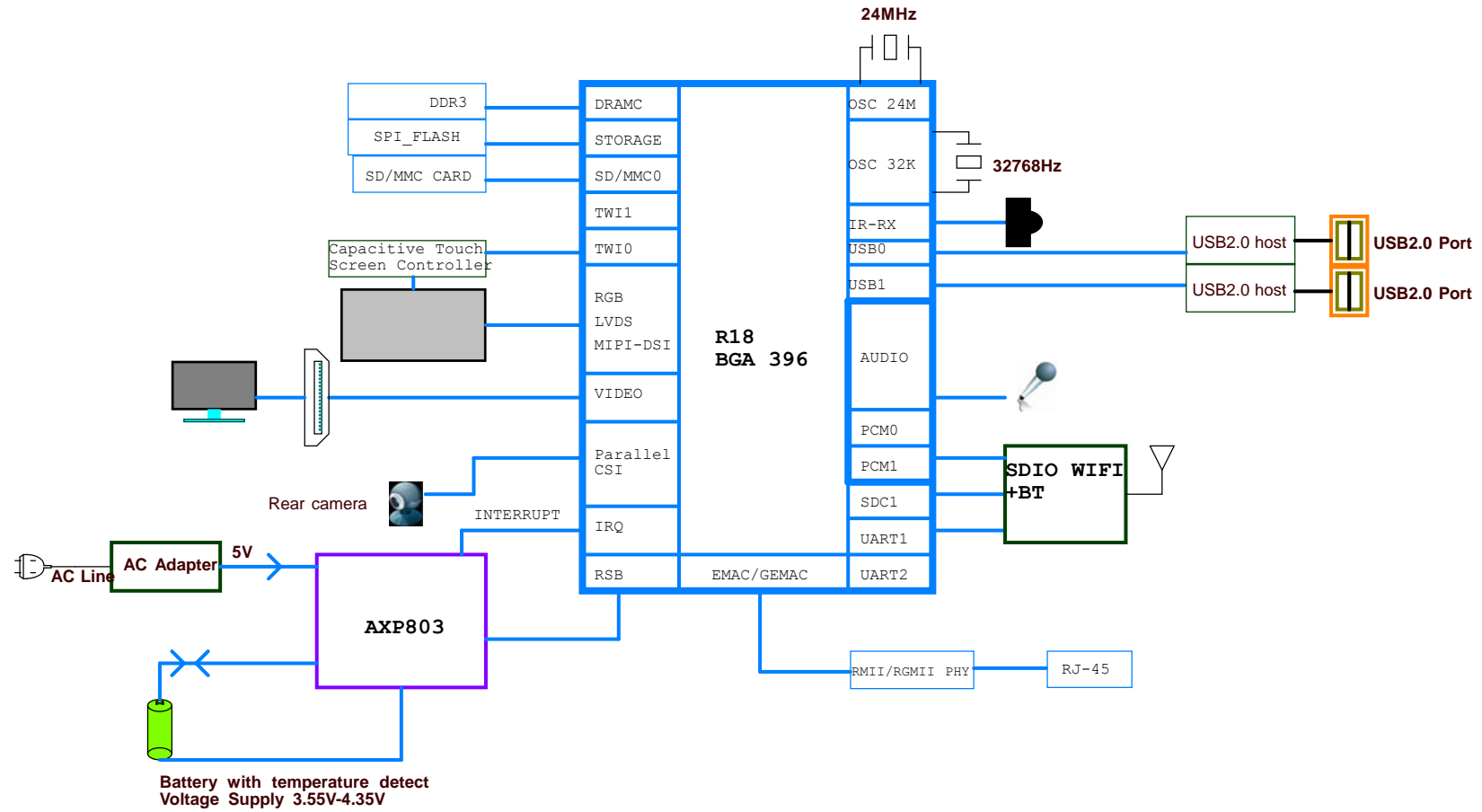
Index:

- P01: REVISION HISTORY
- P02: BLOCK DIAGRAM
- P03: POWER TREE
- P04: LPDDR3 32x1
- P05: CPU
- P06: PMIC
- P07: eMMC/SPI_FLASH
- P08: AUDIO
- P09: USB/T-CARD
- P10: CAMERA
- P11: LCD
- P12: Euler e Connector
- P13: VIDEO
- P14: LED POWER
- P15: WIFI+BT
- P16: CTP/IR
- P17: Pi-2 Connector
- P18: EMAC/GMAC
- P19: EMAC/GMAC

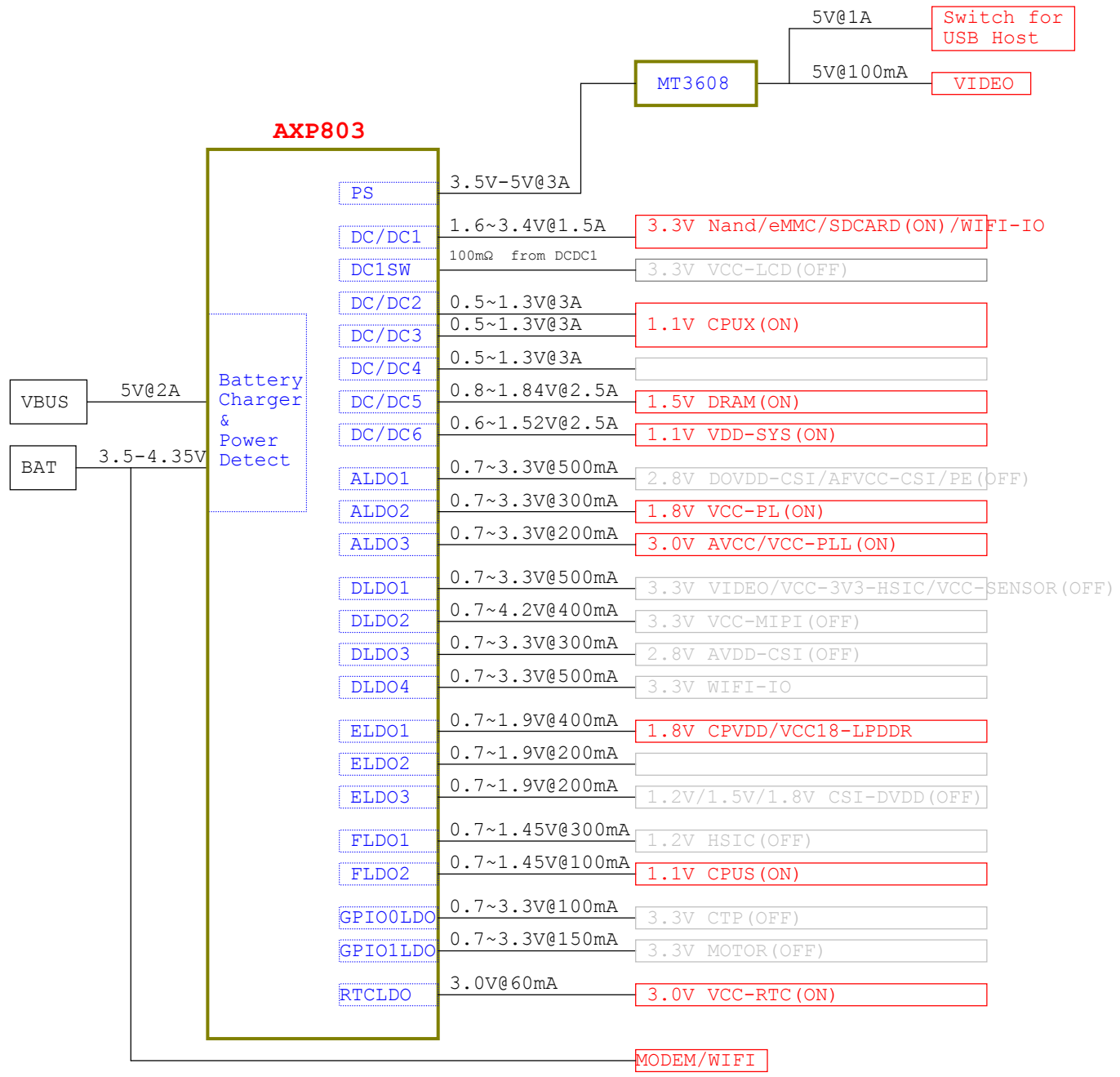
Revision	Description	Date	Drawn	Checked	Approved
Ver 1.0	Release version	2015-04-22			
Ver 1.2		2018-01-26			



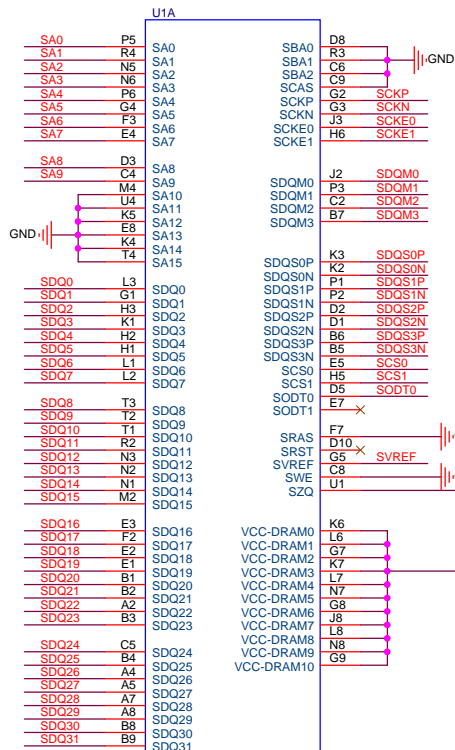
BLOCK DIAGRAM



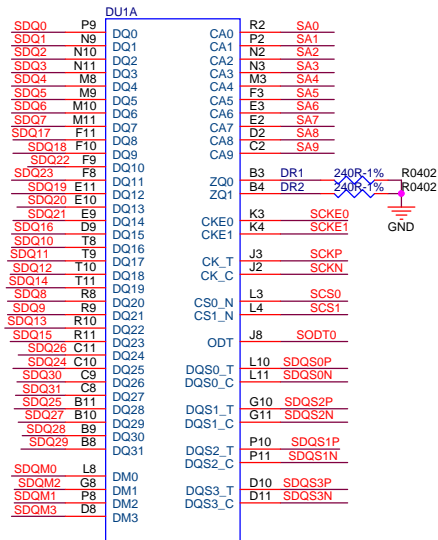
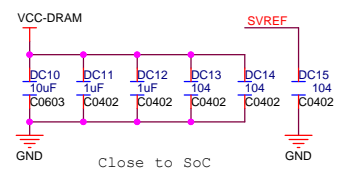
POWER TREE



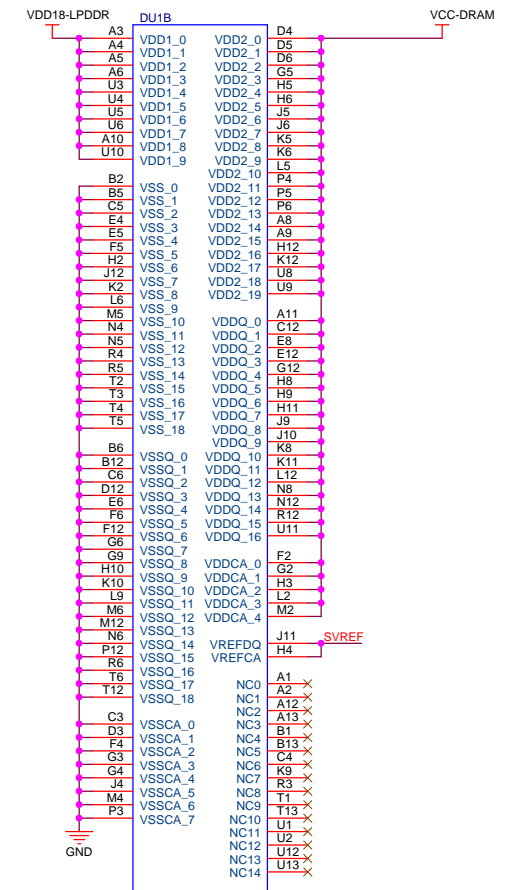
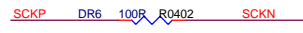
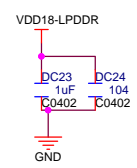
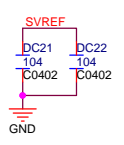
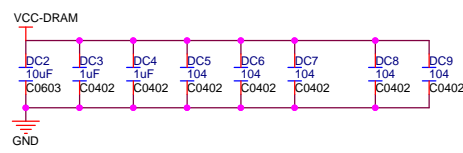
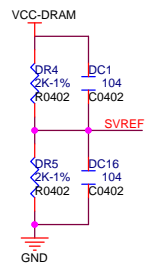
LPDDR3 32X1



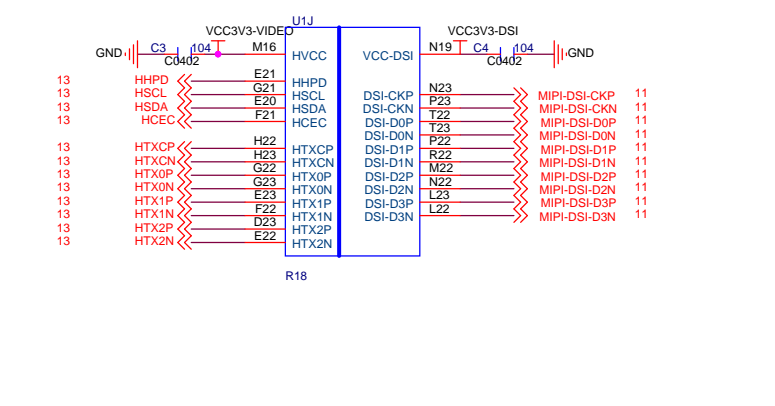
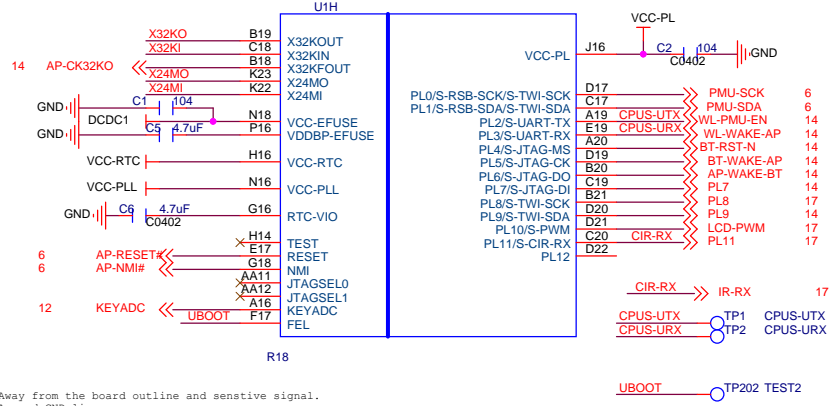
R18



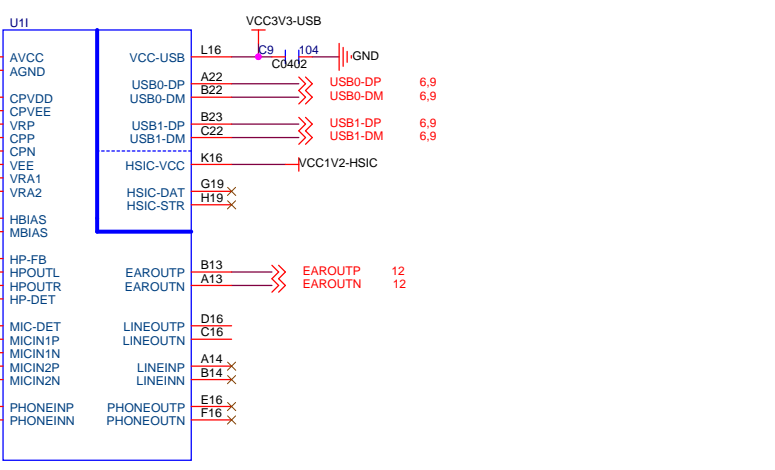
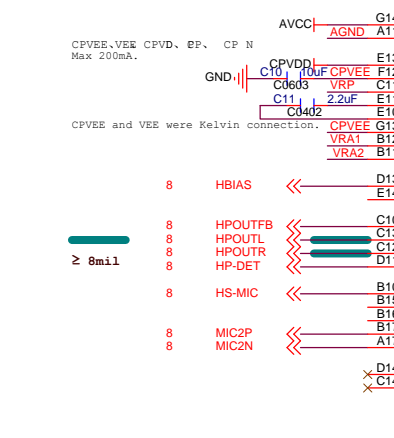
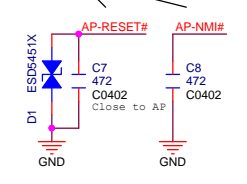
LPDDR3_FBG178



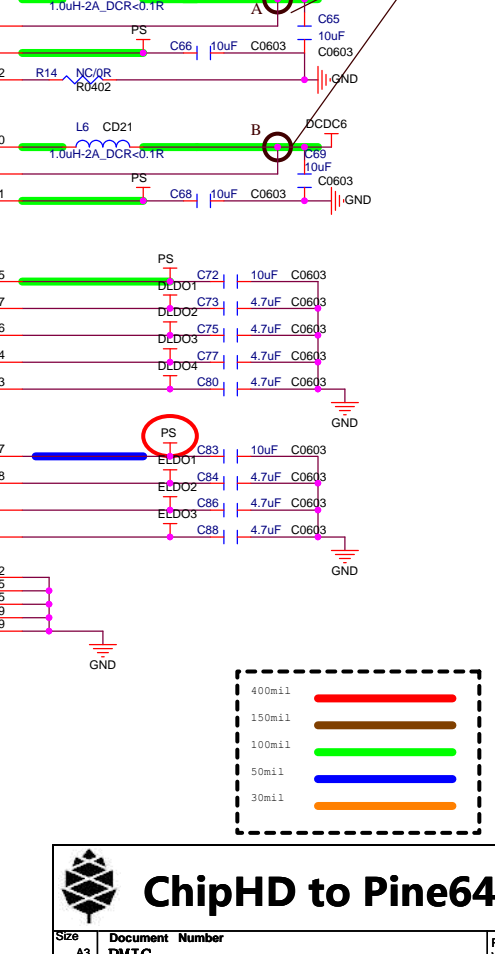
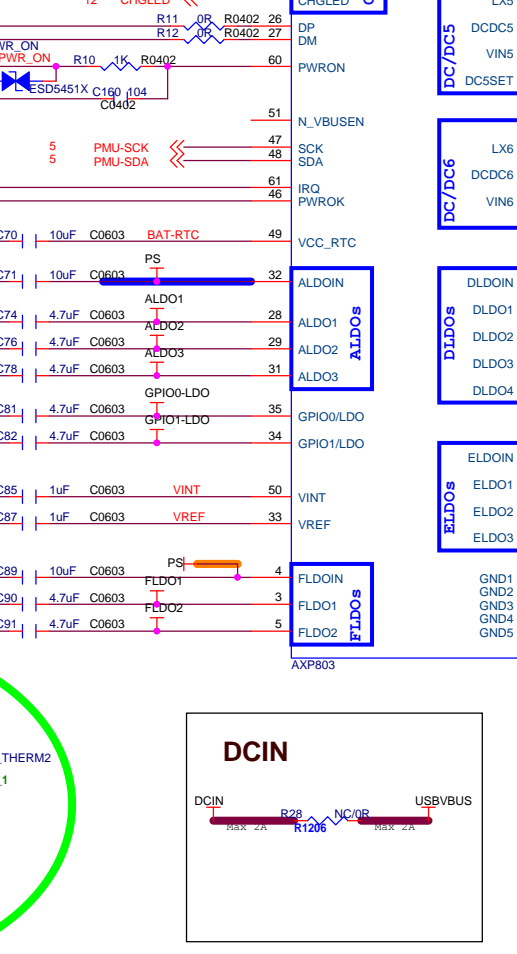
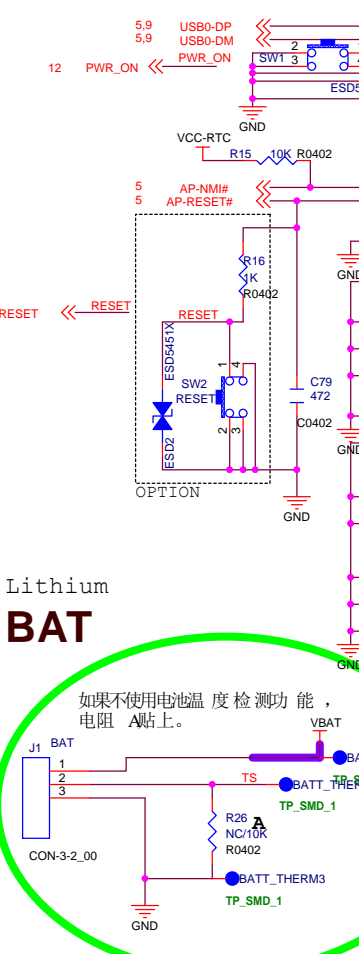
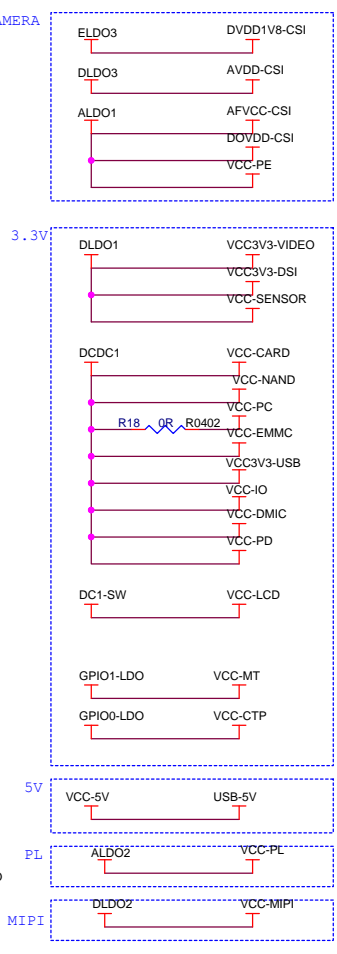
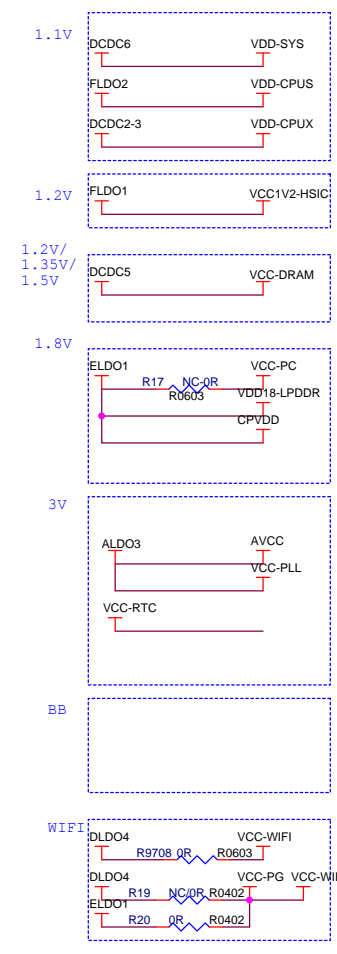
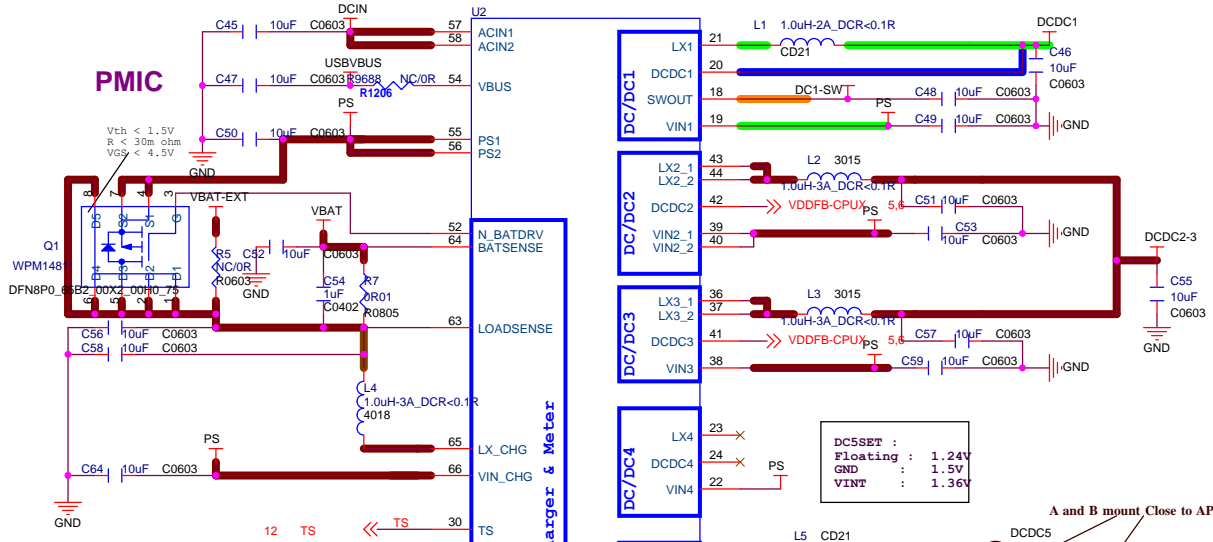
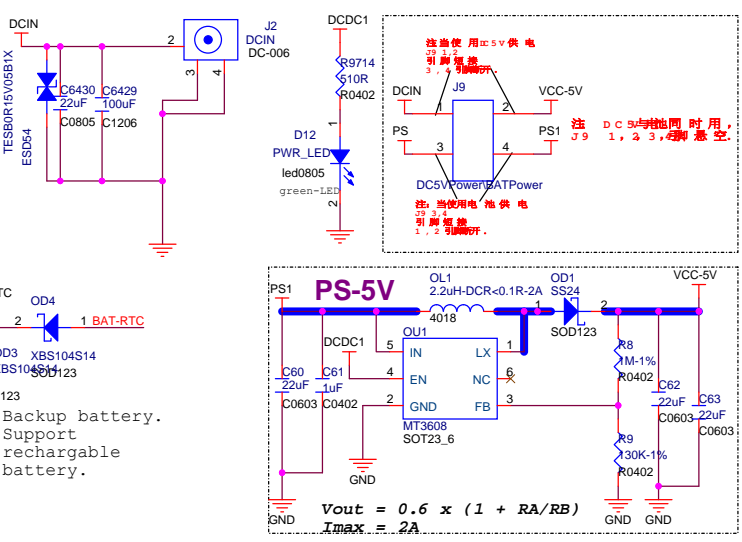
LPDDR3_FBG178



Away from the board outline and sensitive signal.
Around GND line.



Power

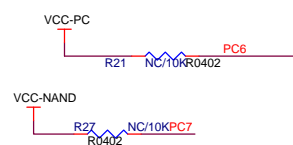


ChipHD to Pine64

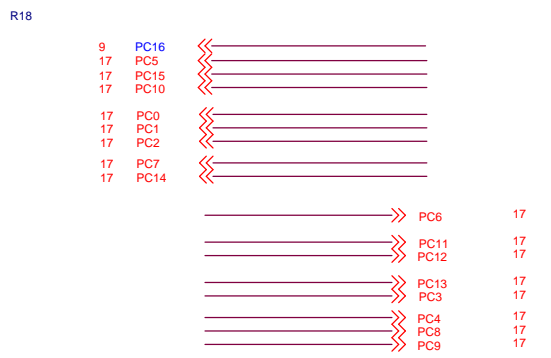
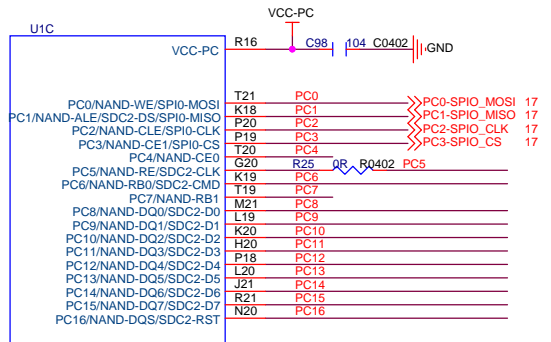
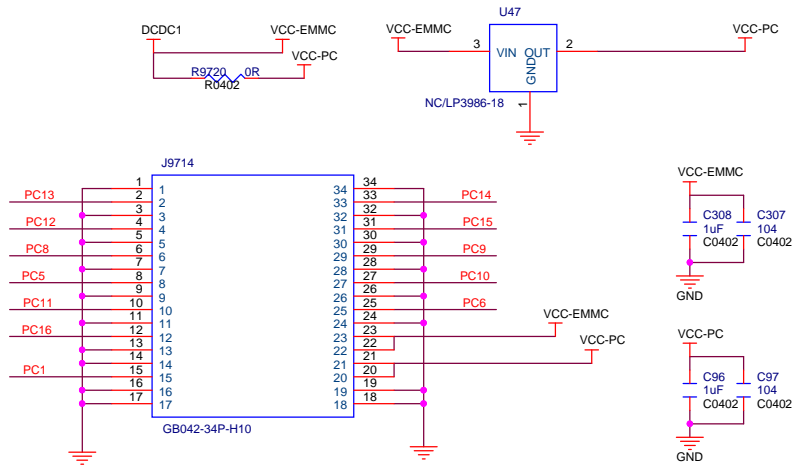
Size A3 Document Number PMIC

Date: Sunday, January 28, 2018 Sheet 6 of 19 Rev V1.2

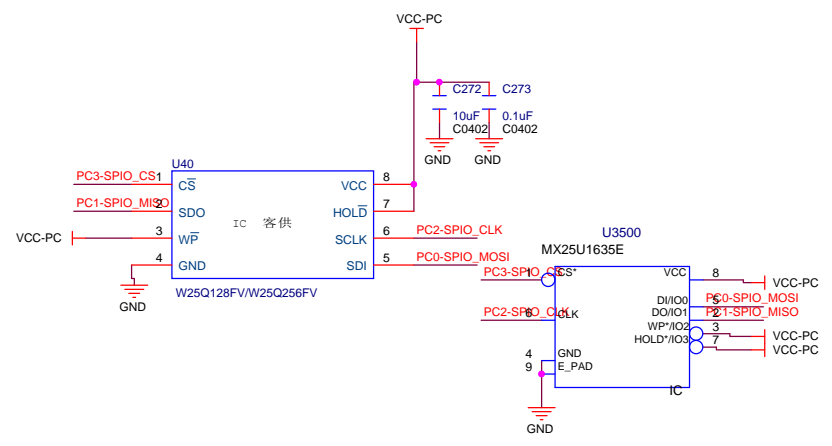
eMMC/SPI_FLASH



eMMC socket

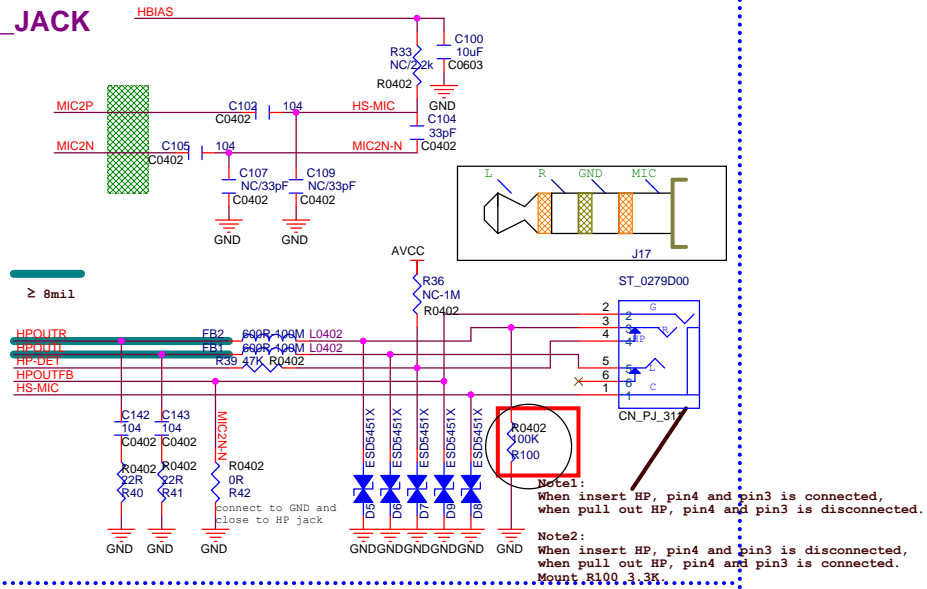


SPI_FLASH



AUDIO

HP_JACK



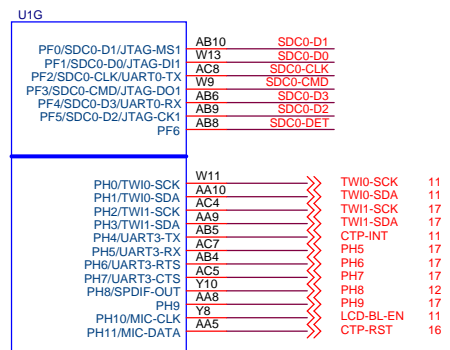
- 5 HBIAS << _____
- 5 HP-DET << _____
- 5 HPOUTFB << _____
- 5 HPOUTL << _____
- 5 HPOUTR << _____
- 5 MIC2N << _____
- 5 MIC2P << _____
- 5 HS-MIC << _____

- 5 EAROUTP << _____
- 5 EAROUTN << _____

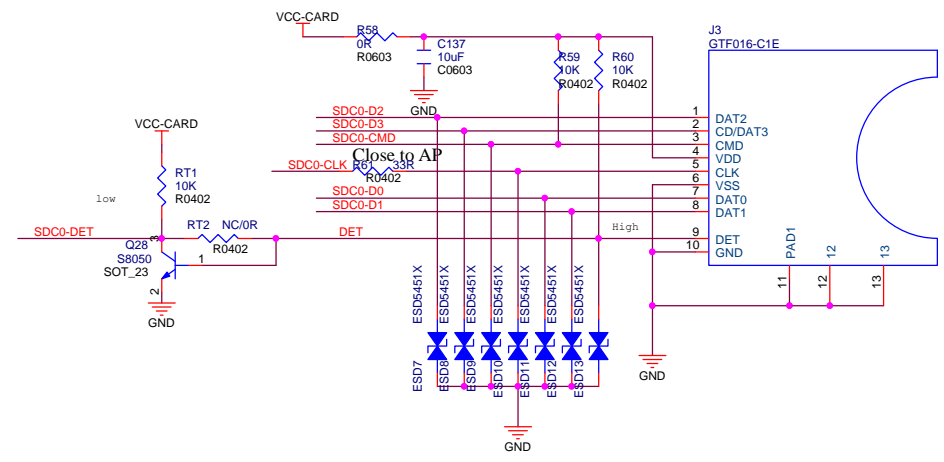
- AVCC _____
- VCC-5V _____

USB/T-CARD

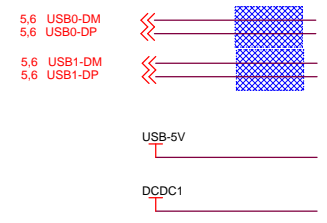
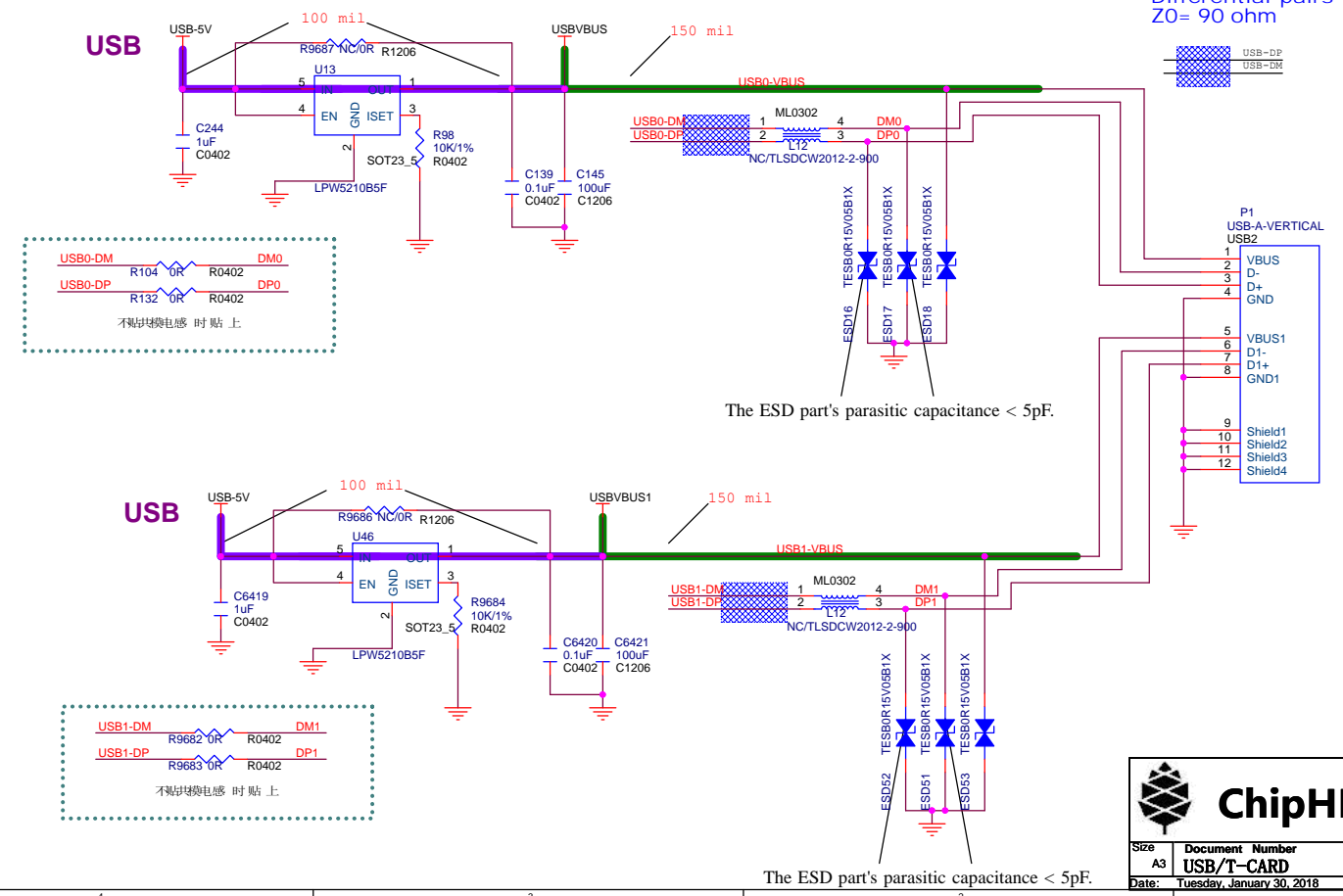
T-CARD



R18



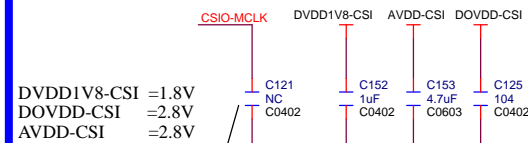
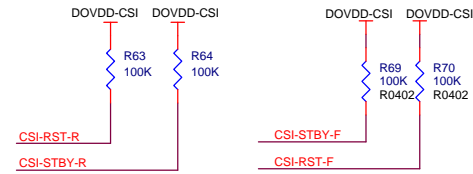
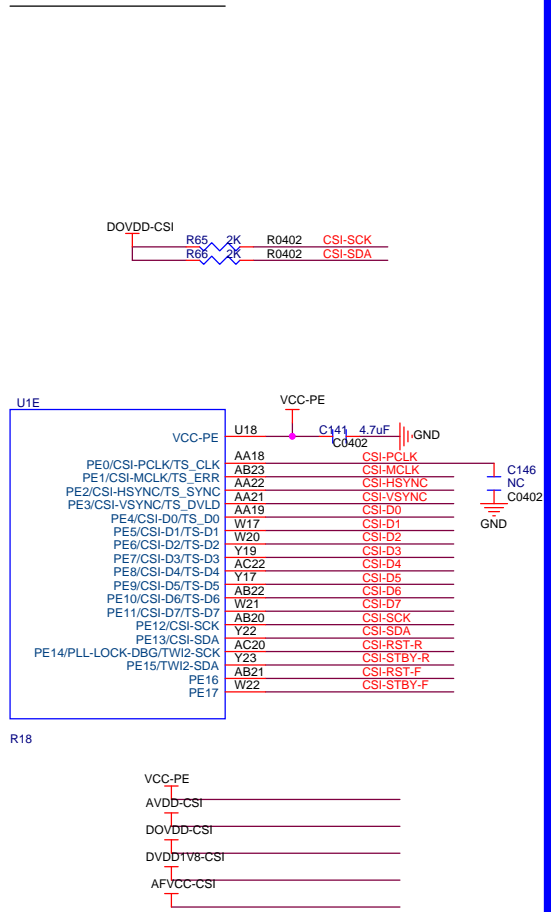
USB



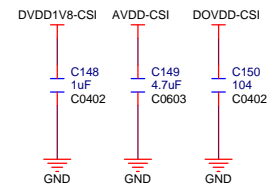
ChipHD to Pine64

Size A3	Document Number USB/T-CARD	Rev V1.2
Date: Tuesday, January 30, 2018	Sheet 9	of 19

CAMERA



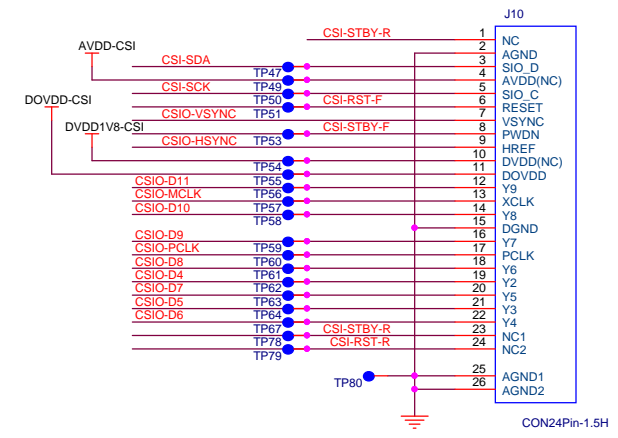
Close to camera.



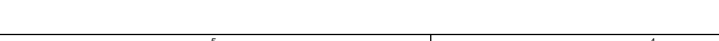
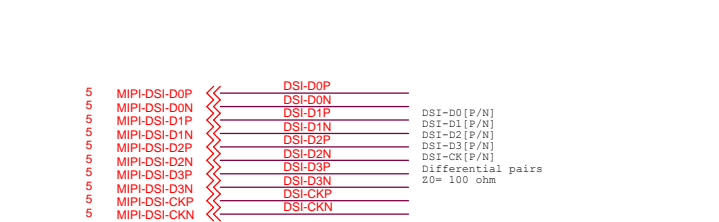
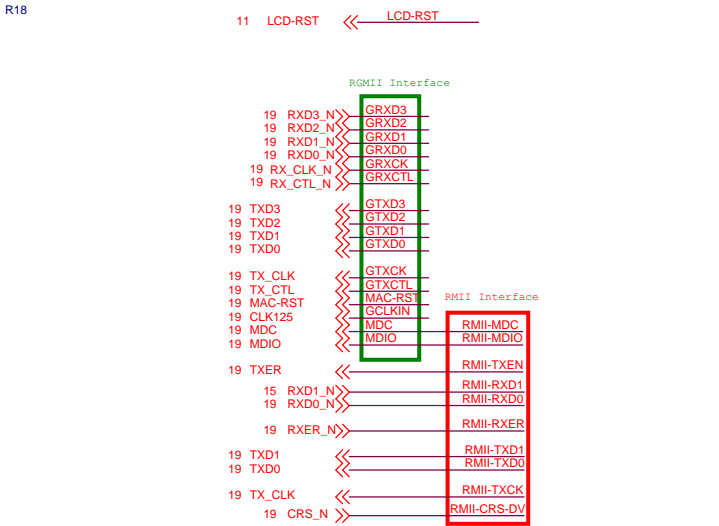
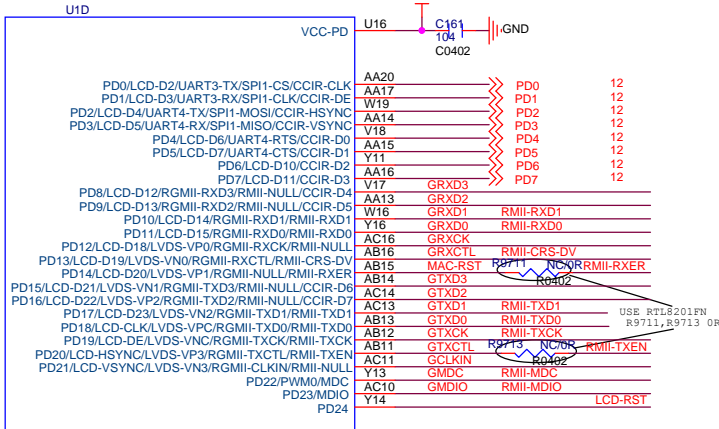
Close to AP



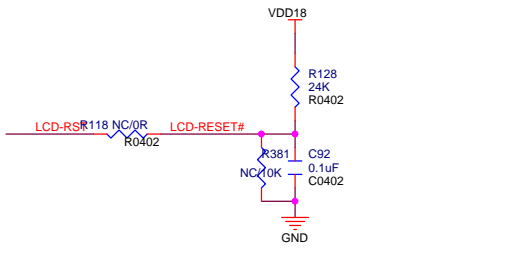
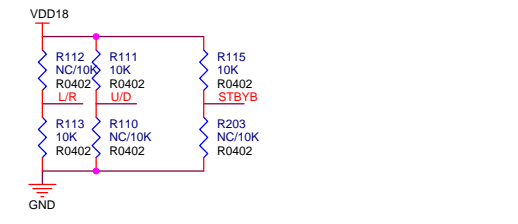
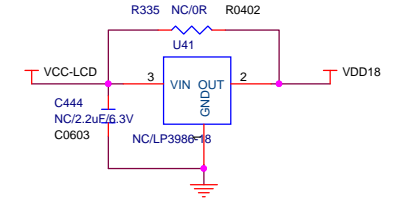
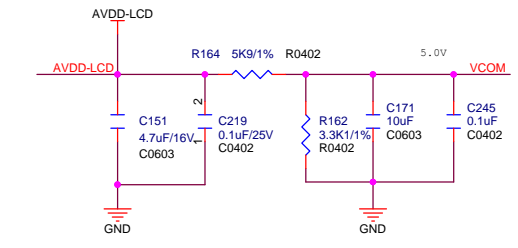
Close to Camera



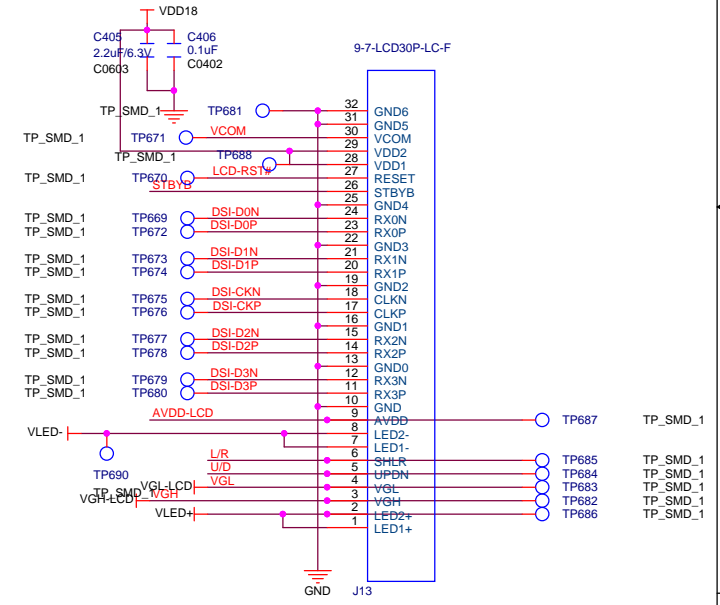
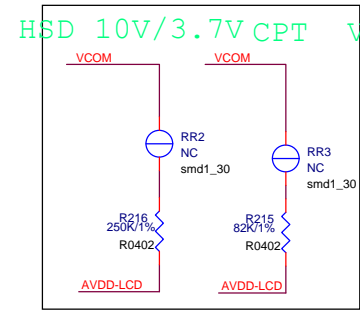
LCD



MIPI-LCD



HSD 10V/3.7V CPT Vcom=4.3V

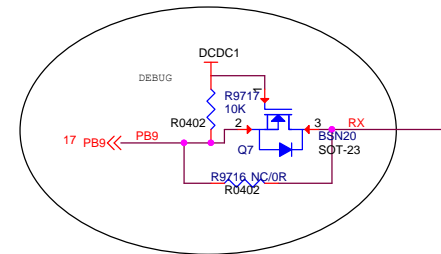
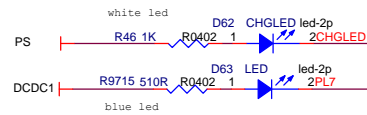
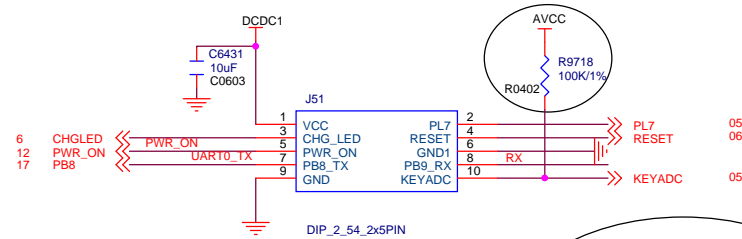
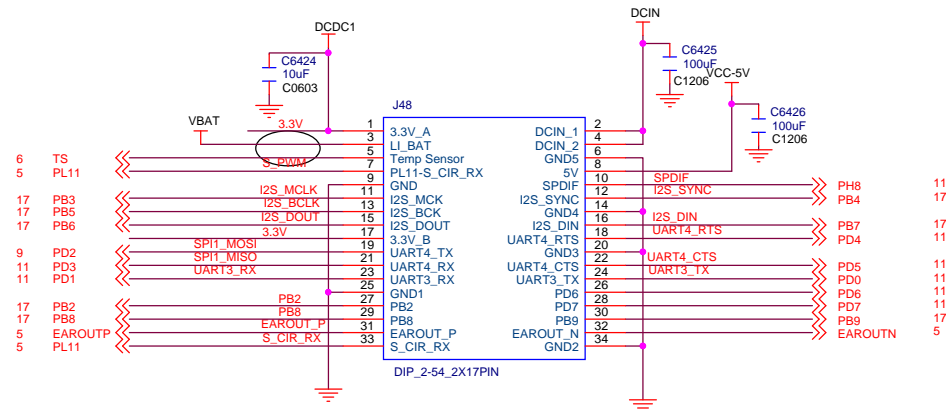


ChipHD to Pine64

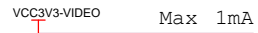
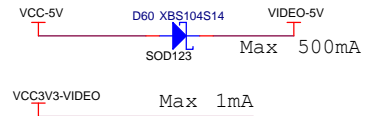
Size A3 Document Number LCD

Date: Tuesday, January 30, 2018 Sheet 11 of 19 Rev V1.2

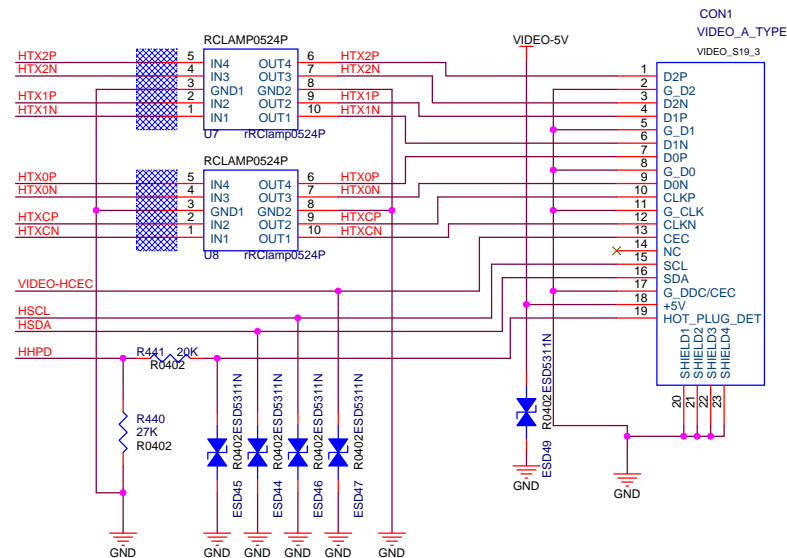
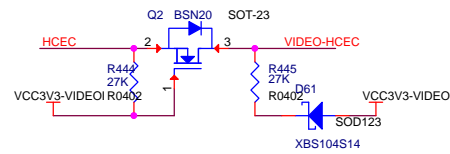
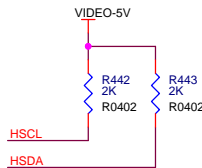
Euler e Connector



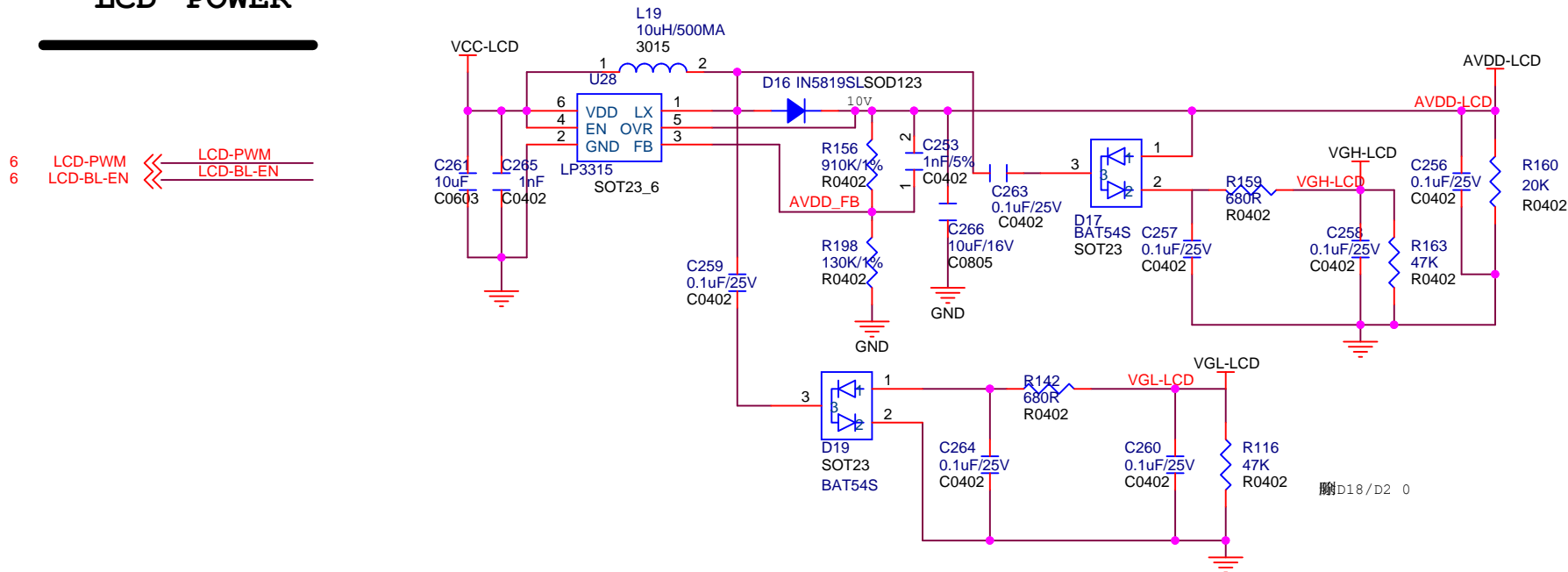
VIDEO



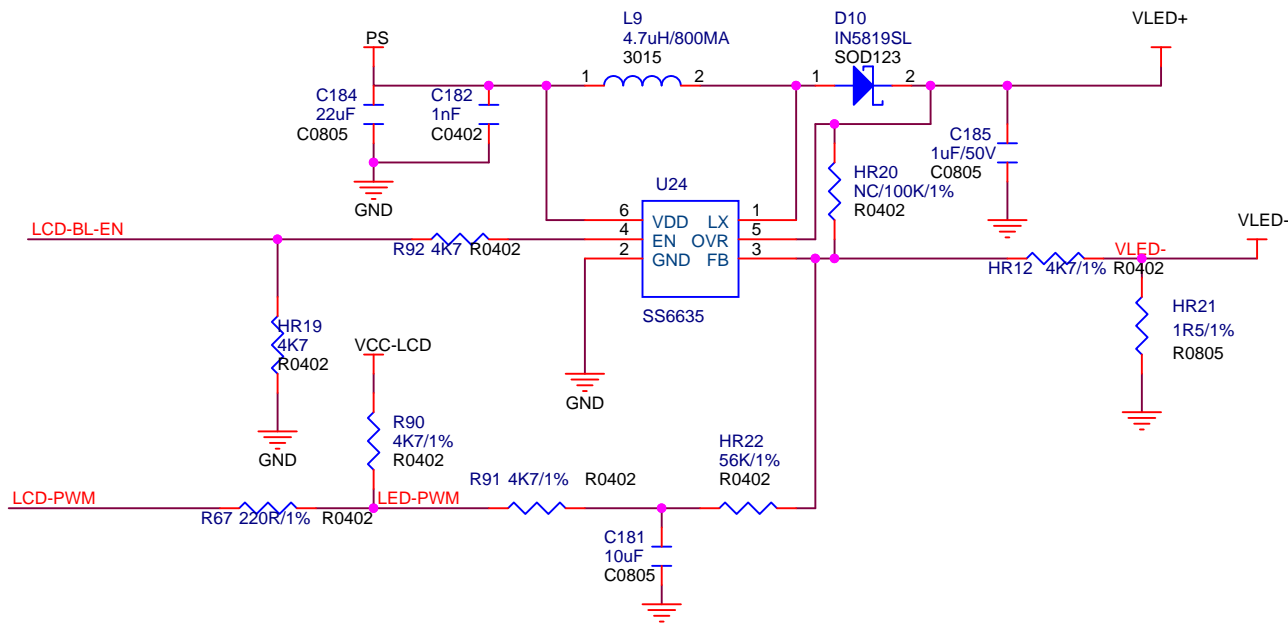
Differential pairs
Z0= 100 ohm



LCD POWER

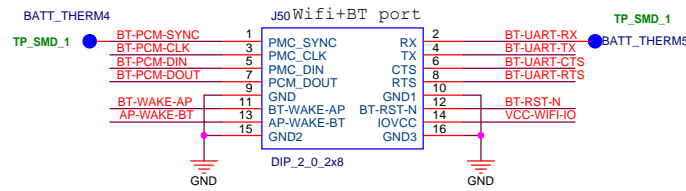
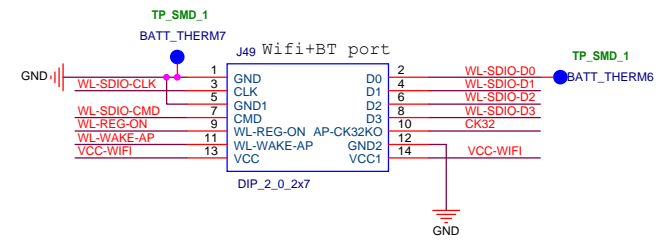
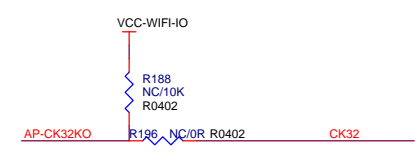
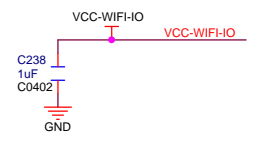
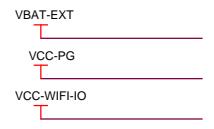
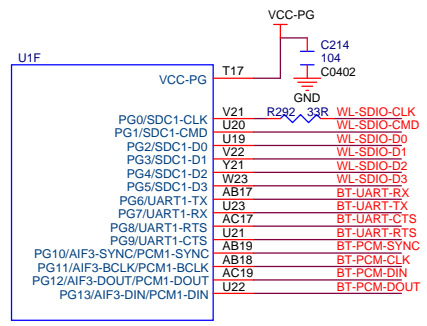


Backlight



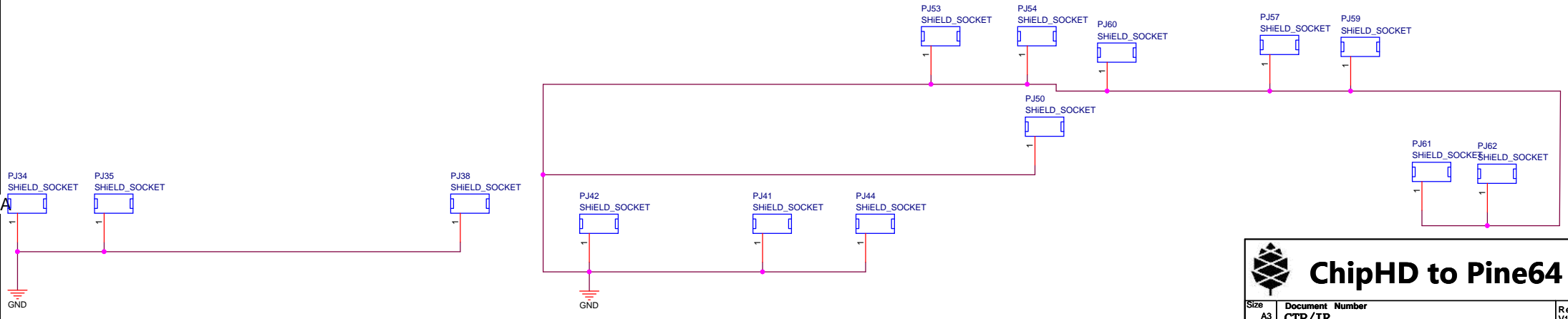
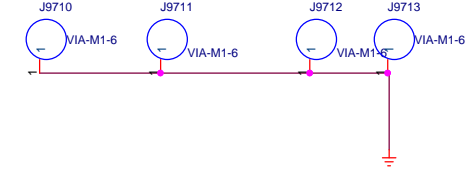
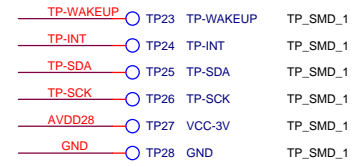
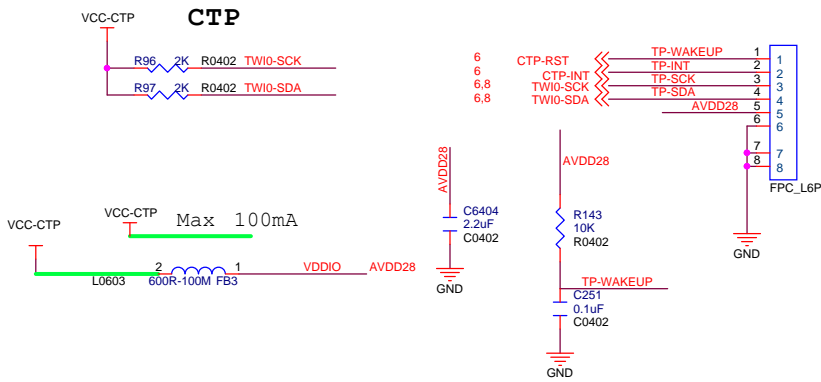
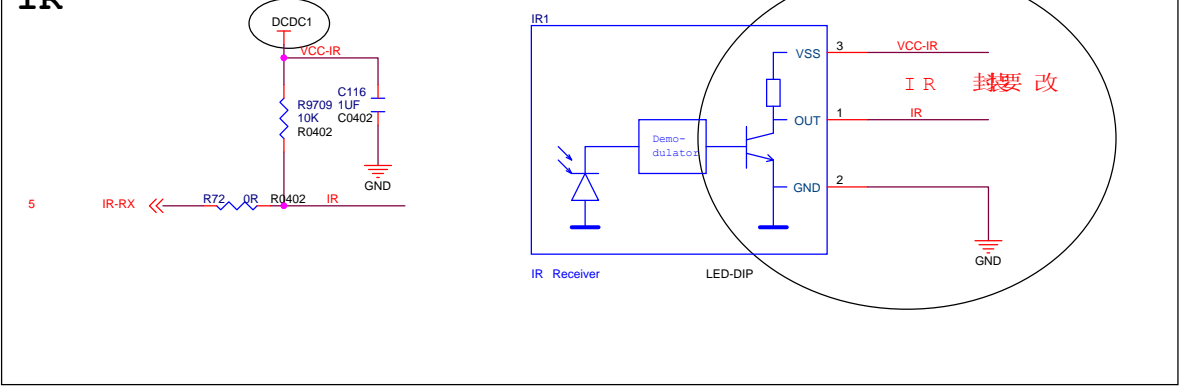
ChipHD to Pine64

WIFI+BT

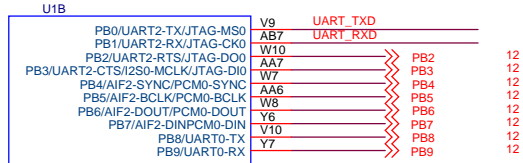


CTP/IR

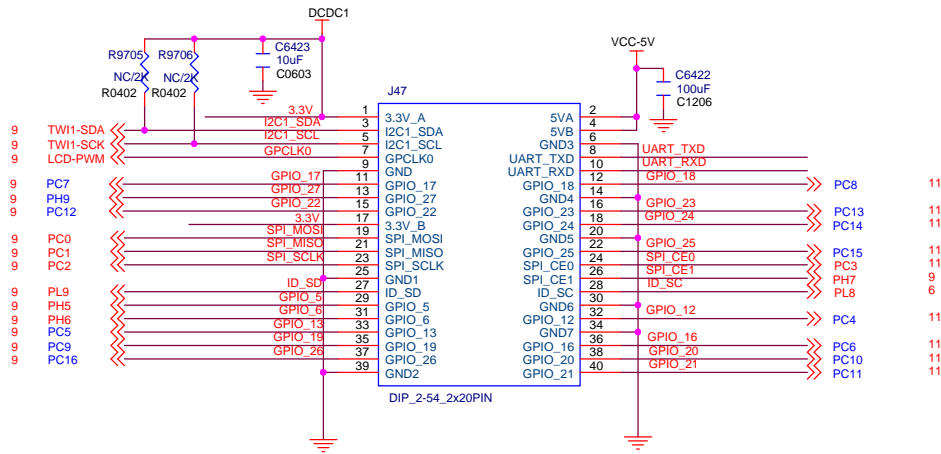
IR



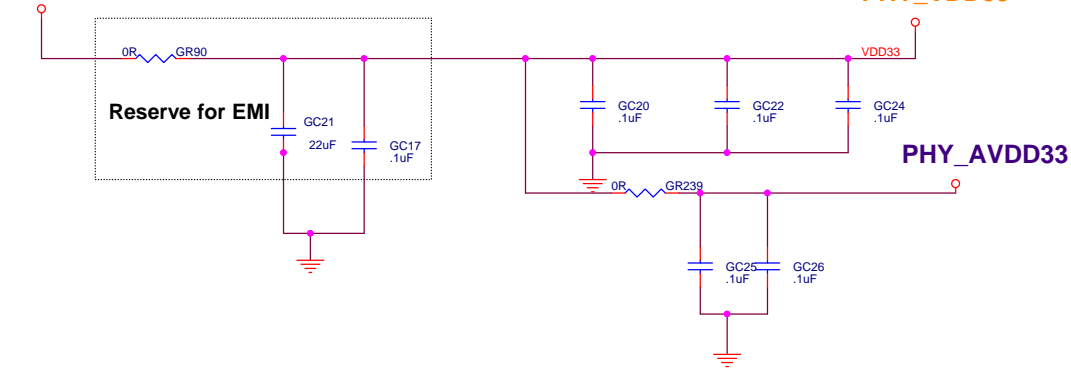
Pi-2 Connector



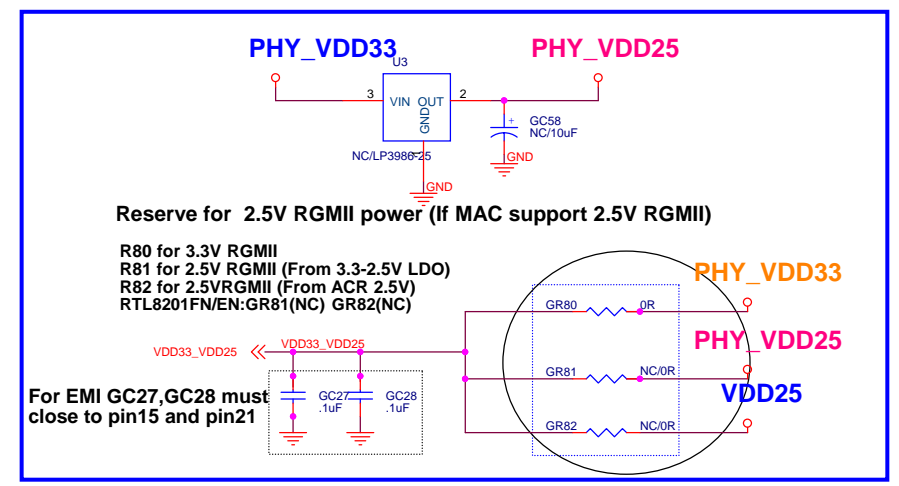
R18



GMAC-3V



3.3/2.5V RGMII Power



RTL8211CN/D/E	GL1	C56	U10	GR65	GR66	GR122	GC41/GC57
Enable switching regulator	○	○	✗	○	✗	✗	○
Disable switching regulator	✗	✗	○	✗	○	○	✗

Note 1: The Trace length between GL1 and Pin 48 must be within 0.5 cm. GC40 and GC41 to G L1 must be within 0.5cm.

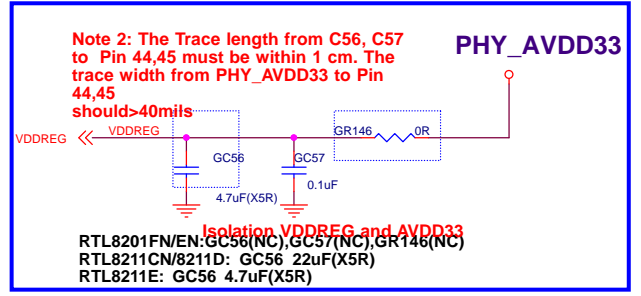
RTL8211D/8211CN:GC40 22uF(X5R)
RTL8211E: GC40 4.7uF(X5R)

RTL8201FN/EN :
C40,C41,GL1 is NC
GC33,GC38,GC35,GC37 is NC

C44 close to pin40

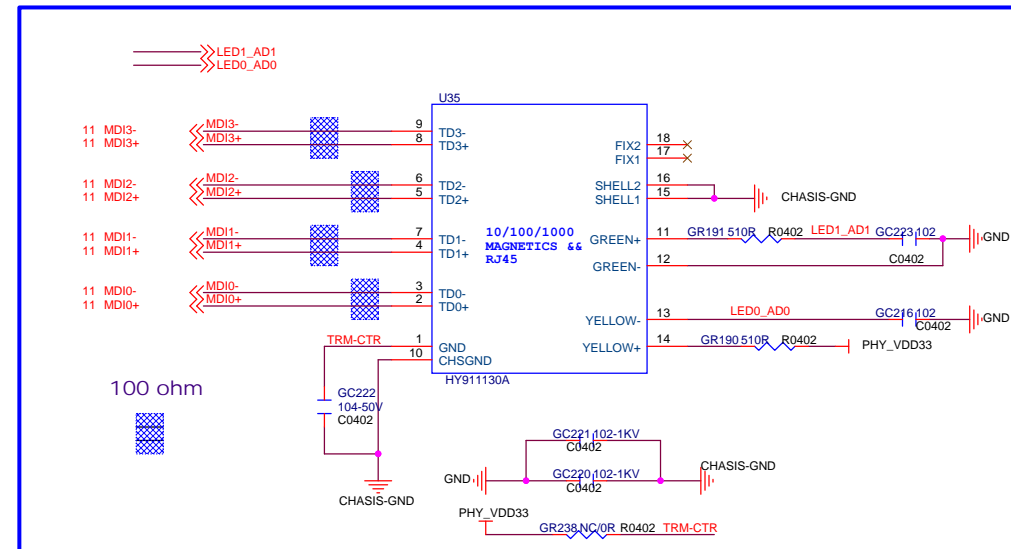
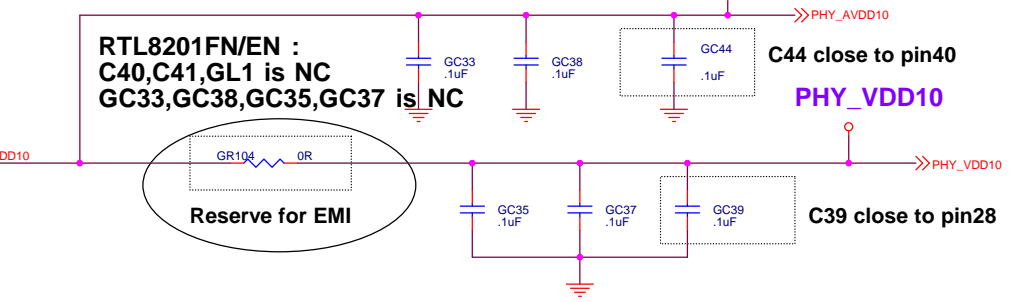


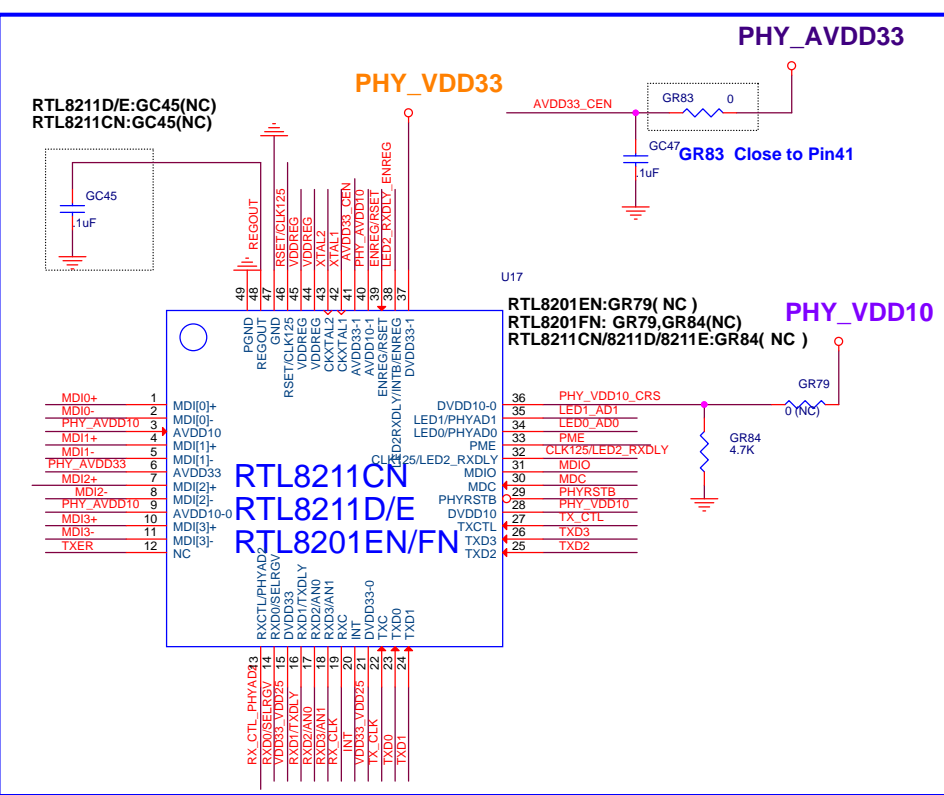
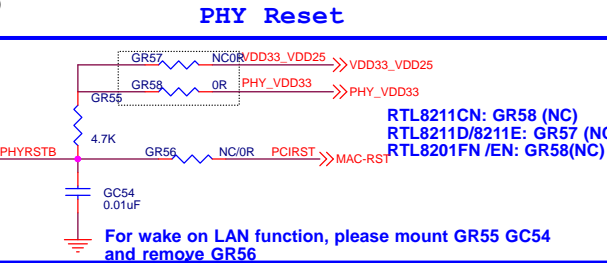
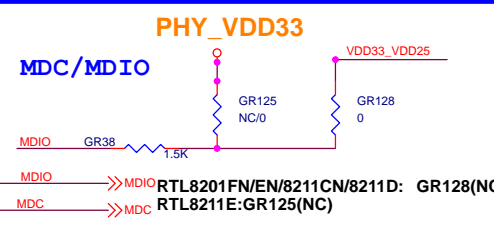
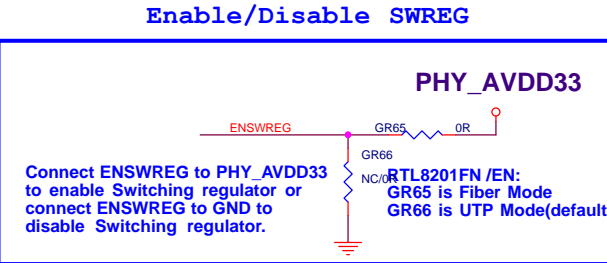
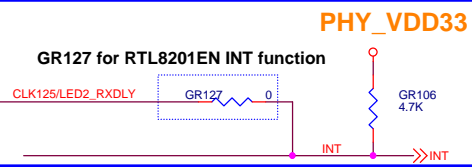
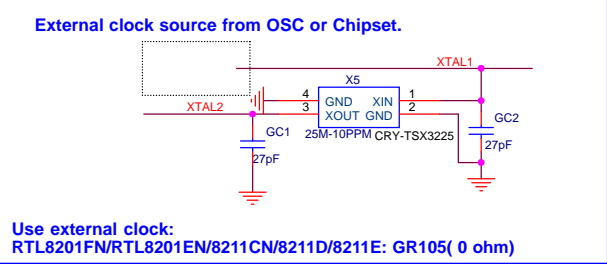
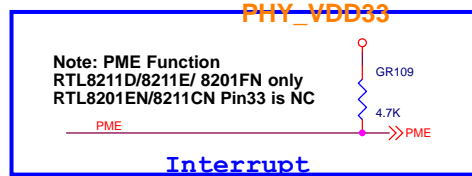
VDDREG



External Power Source

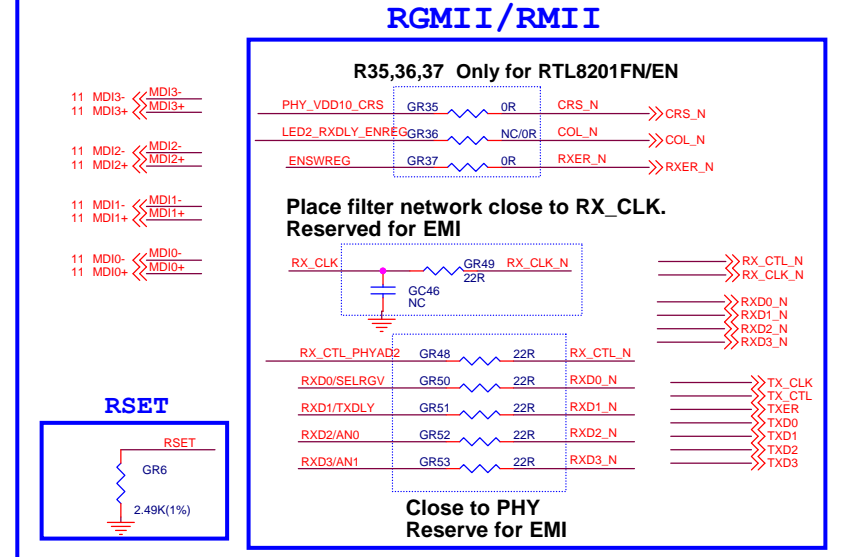
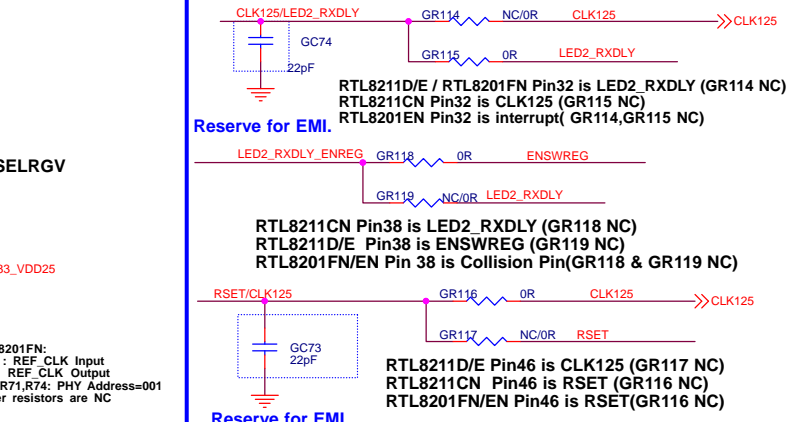
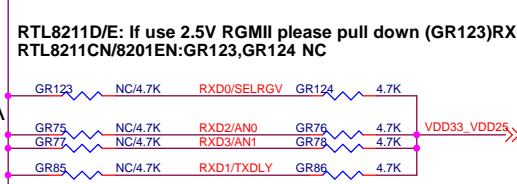
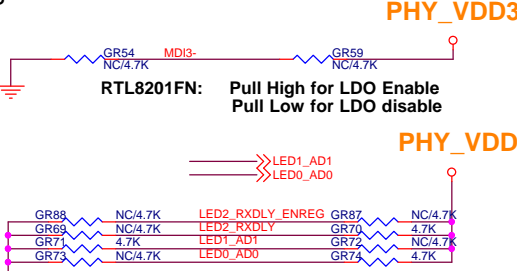
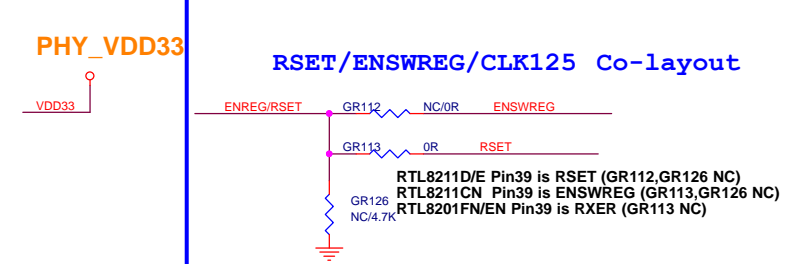
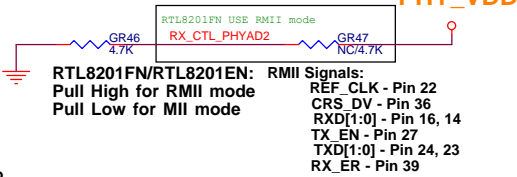
U10,GC69,GC68, GR122,GR120 and GR121 are only used by 8211CN/8211D/8211E application when switching regulator is disabled. For other applications, please remove them.





Configuration Setting

MII/RMII Setting only for RTL8201FN & RTL8201EN PHYAD2 Setting only for RTL8211E



RTL8211CN/8211D/8211E: GR76,GR78: Config for all capability GR71,GR74: PHY Address=01 (8211D/8211CN) GR46,GR71,R74: PHY Address=001 (8211E) GR69,GR85: Without TX/RX Delay

RTL8201EN: GR88:MII Interface GR87:SN Interface GR71,GR74: PHY Address=001 Other resistors are NC

RTL8201FN: R78 : REF CLK Input R77: REF CLK Output R69,R71,R74: PHY Address=001 Other resistors are NC

Others: VDDREG, PHY_VDD10, PHY_AVDD10, REGOUT, PHY_VDD33