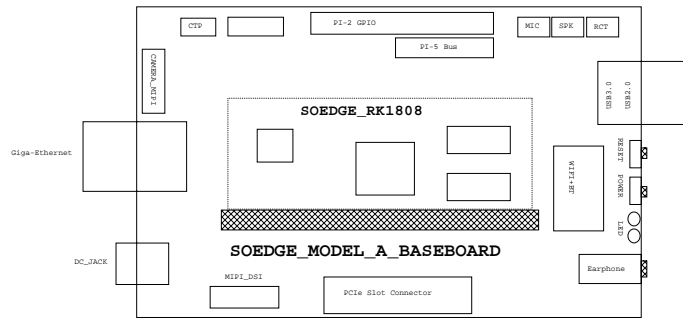
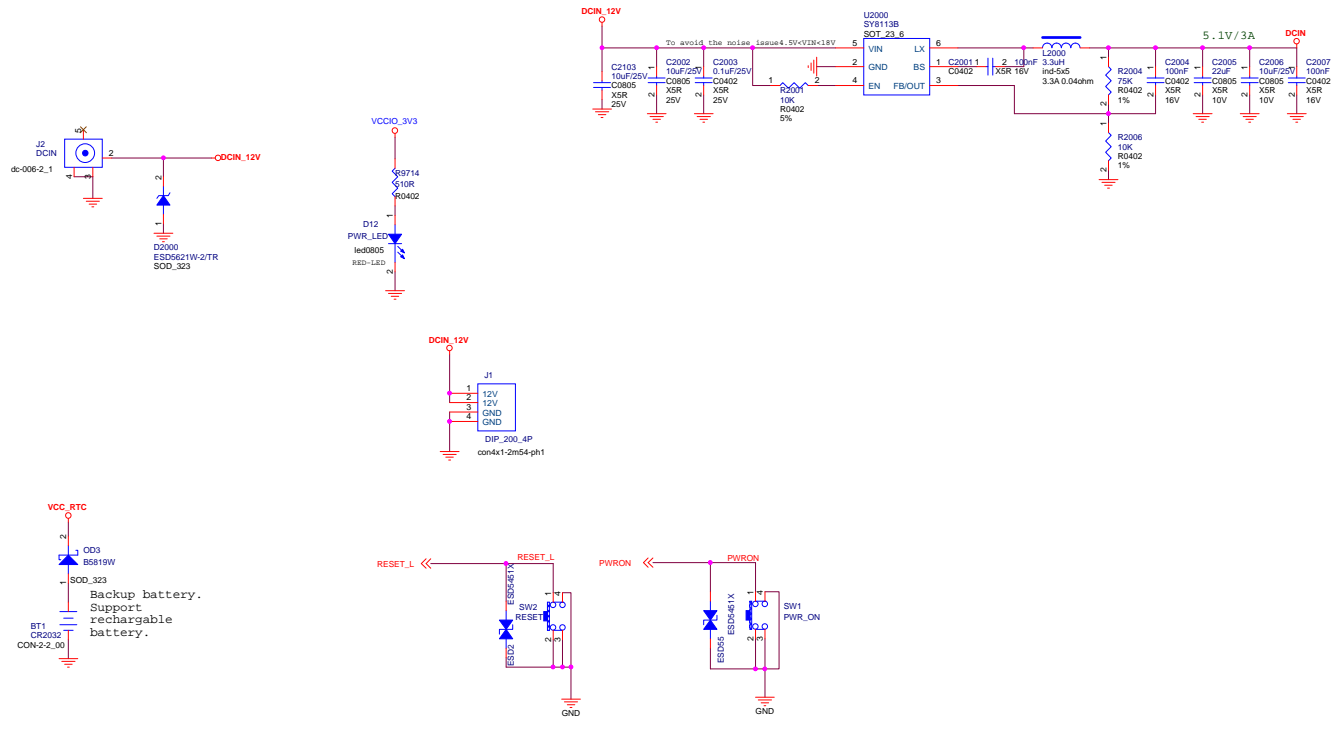


BLOCK DIAGRAM

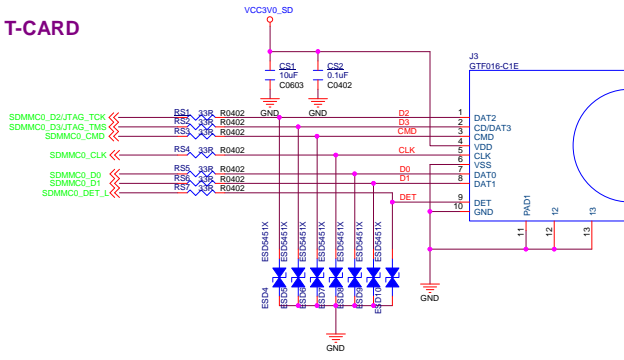


SoEdge model-A Baseboard
Schematic 20210223

Power



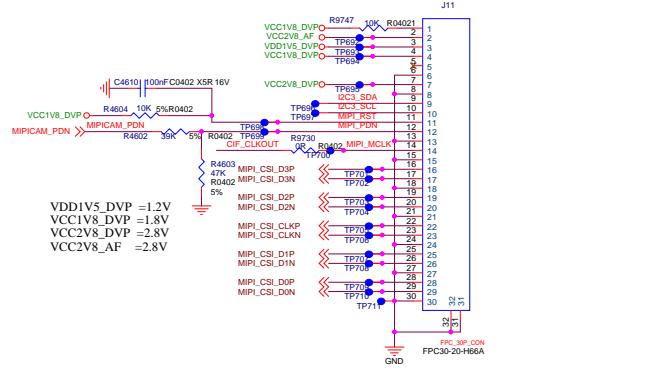
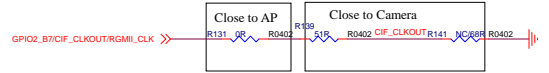
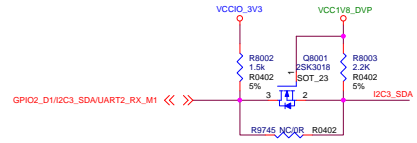
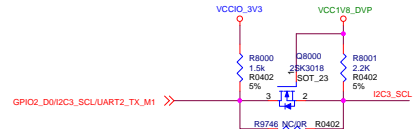
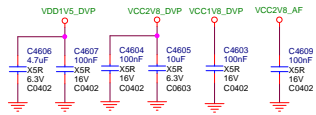
T-CARD



SoEdge model-A Baseboard
Schematic 20210223

The ESD part's parasitic capacitance < 5pF.

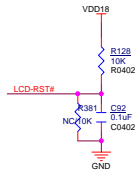
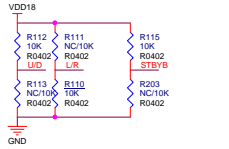
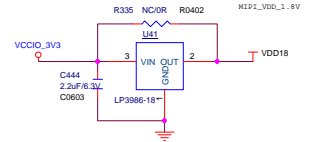
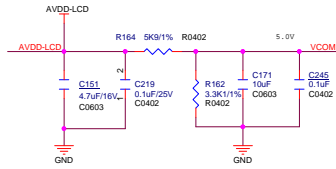
MIPI Camera



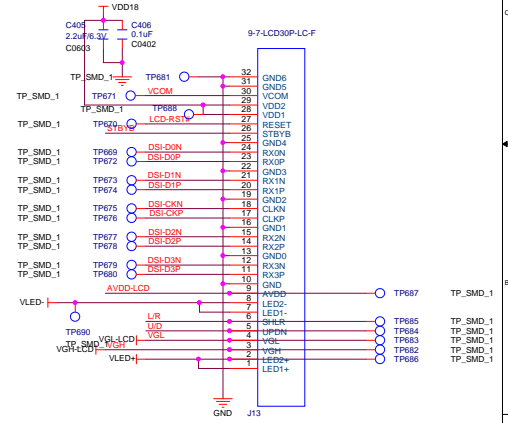
VDD1V5_DVP = 1.2V
 VCC1V8_DVP = 1.8V
 VCC2V8_DVP = 2.8V
 VCC2V8_AF = 2.8V

LCD

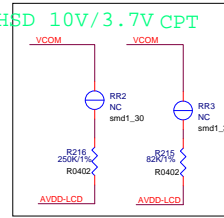
MIPI-LCD



MPI_DSI_D0P	DSI-D0P	
MPI_DSI_D0N	DSI-D0N	
MPI_DSI_D1P	DSI-D1P	DSI-D0[19/2]
MPI_DSI_D1N	DSI-D1N	DSI-D1[19/2]
MPI_DSI_D2P	DSI-D2P	DSI-D2[19/2]
MPI_DSI_D2N	DSI-D2N	DSI-D2[19/2]
MPI_DSI_D3P	DSI-D3P	DSI-D3[19/2]
MPI_DSI_D3N	DSI-D3N	DSI-D3[19/2]
MPI_DSI_CLKP	DSI-CKP	DSI-CK[19/2]
MPI_DSI_CLKN	DSI-CKN	DSI-CK[19/2]

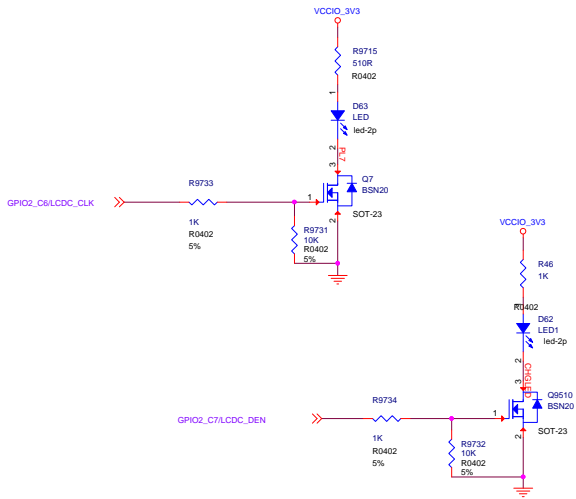
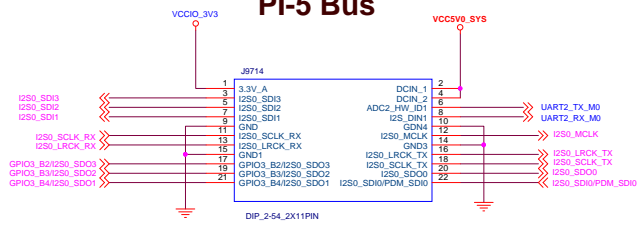


HSD 10V/3.7V CPT Vcom=4.3V



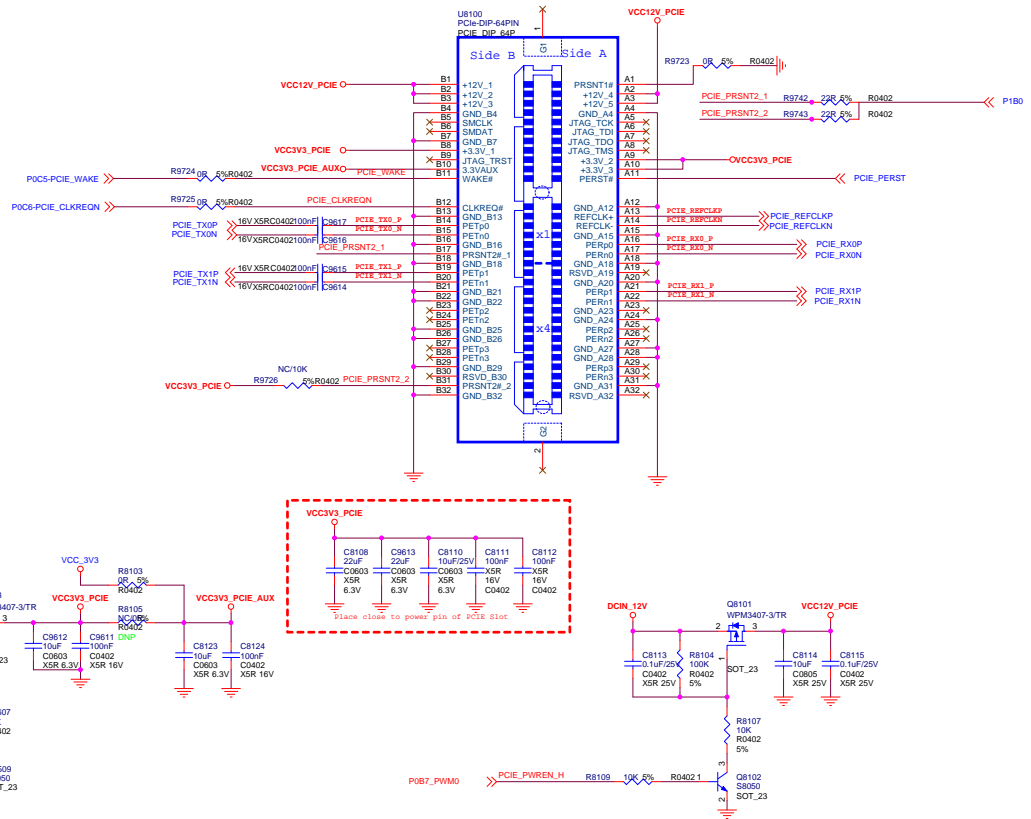
SoEdge model-A Baseboard Schematic 20210223

PI-5 Bus



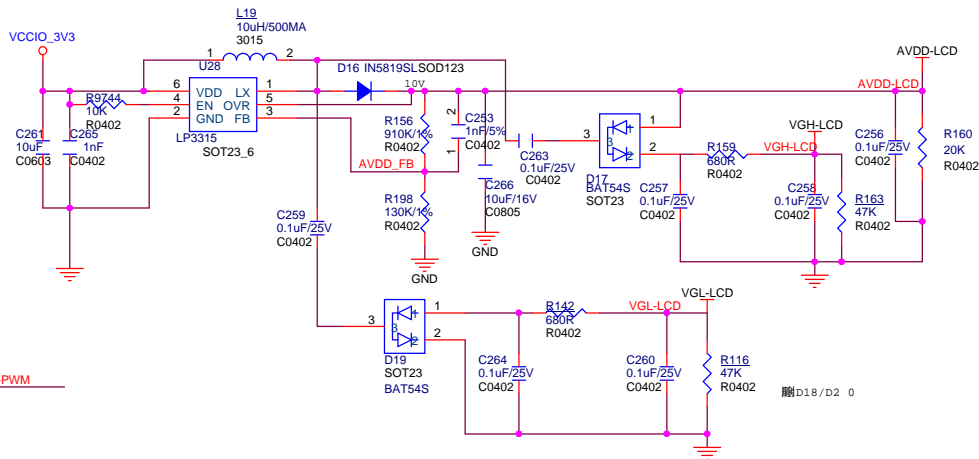
SoEdge model-A Baseboard
Schematic 20210223

PCIe Slot-x2 Connector

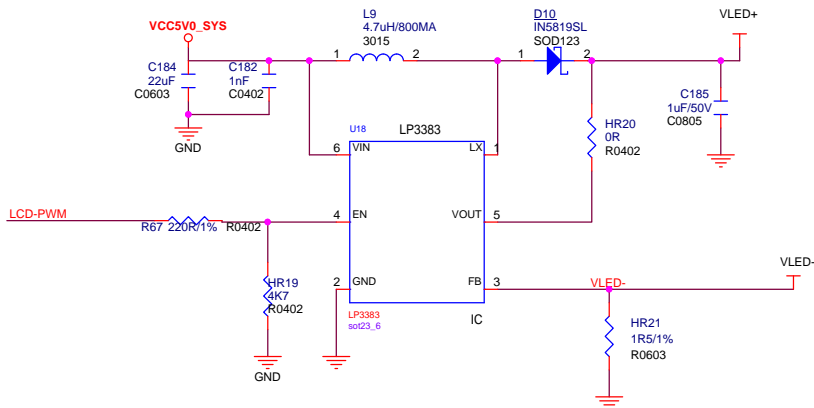


PINE64 SoEdge model-A Baseboard Schematic 20210223

LCD POWER

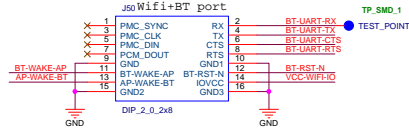
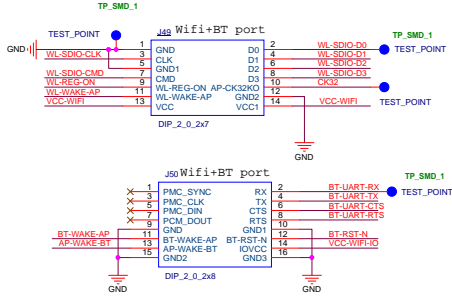
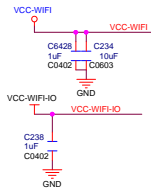
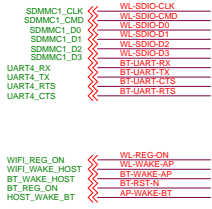


Backlight

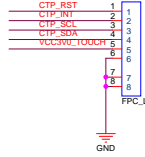
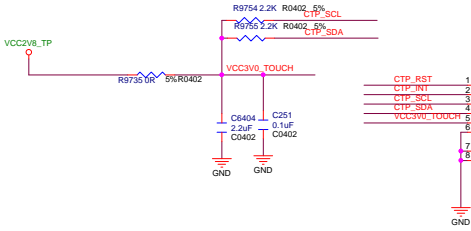


SoEdge model-A Baseboard Schematic 20210223

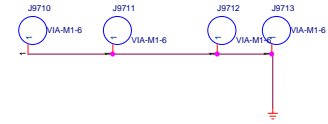
WIFI+BT Connector



P0B4-UART0_CTS/TP_RTS_L <<< CTP_RST
 P0B5-UART0-RTS/TP_INT_L <<< CTP_INT
 I2C1_SCL_TP <<< CTP_SCL
 I2C1_SDA_TP <<< CTP_SDA



CTP_RST	TP23	TP-WAKEUP	TP_SMD_1
CTP_INT	TP24	TP-INT	TP_SMD_1
CTP_SDA	TP25	TP-SDA	TP_SMD_1
CTP_SCL	TP26	TP-SCK	TP_SMD_1
VCC3V0_TOUCH	TP27	VCC-3V	TP_SMD_1
GND	TP28	GND	TP_SMD_1



SoEdge model-A Baseboard Schematic 20210223

