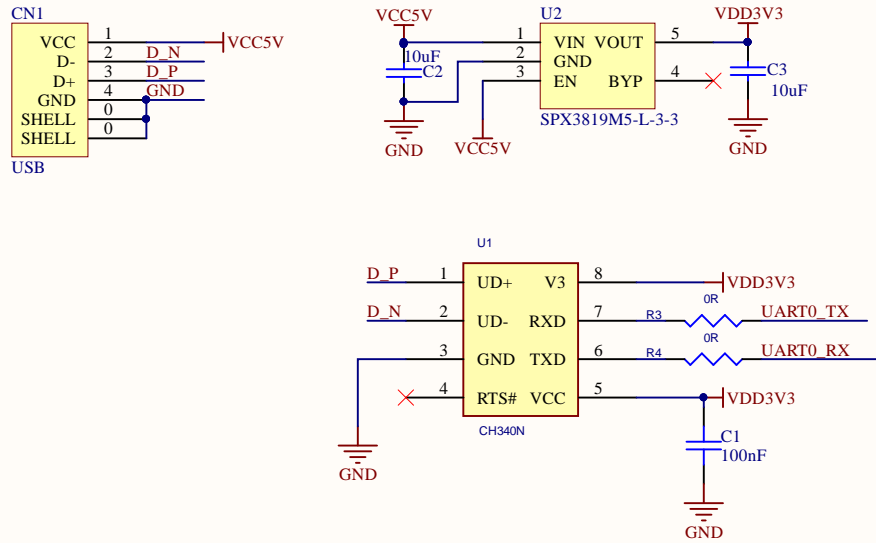
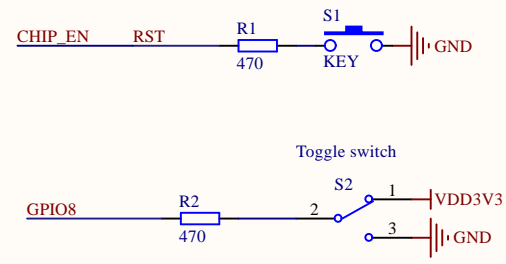


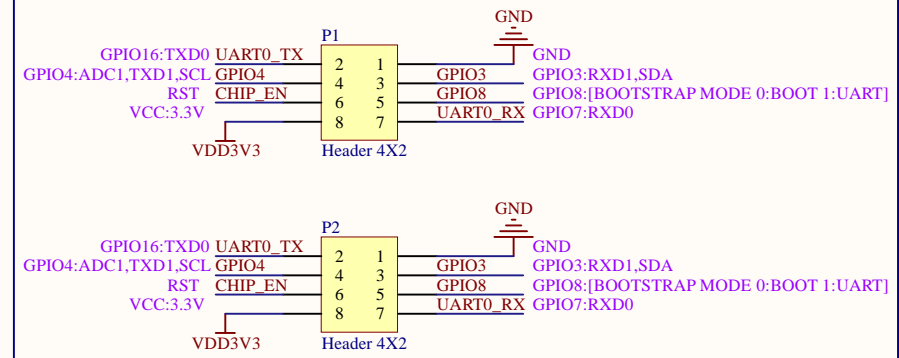
USB to UART



Switch



PIN



Title		PINE64 USB Adapter for Pinenut-01S Schematic	
Size	Number	Revision	
A4		V1.0	
Date:	2021/1/4	Sheet	1 of 1