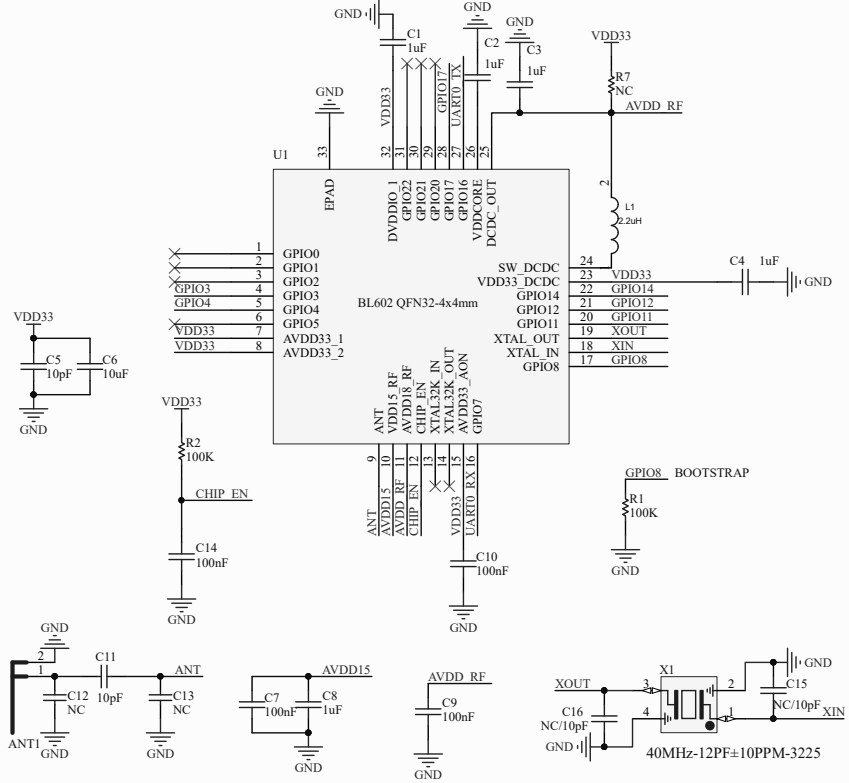
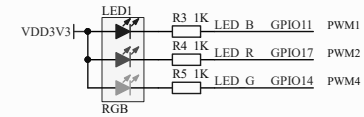


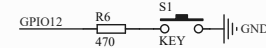
# BL602C



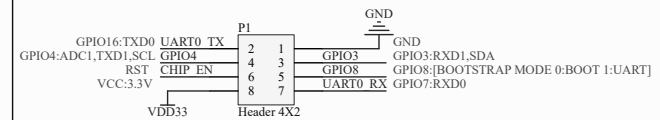
# RGB



# KEY



# PIN



Title		PINE64	
Size	Number	Revision	
A3	NUT-01S Schematic		
Date:	2020/11/10	Sheet	of
File:	C:\Users\...NUT-01S V1.01.SchDoc	Drawn By:	