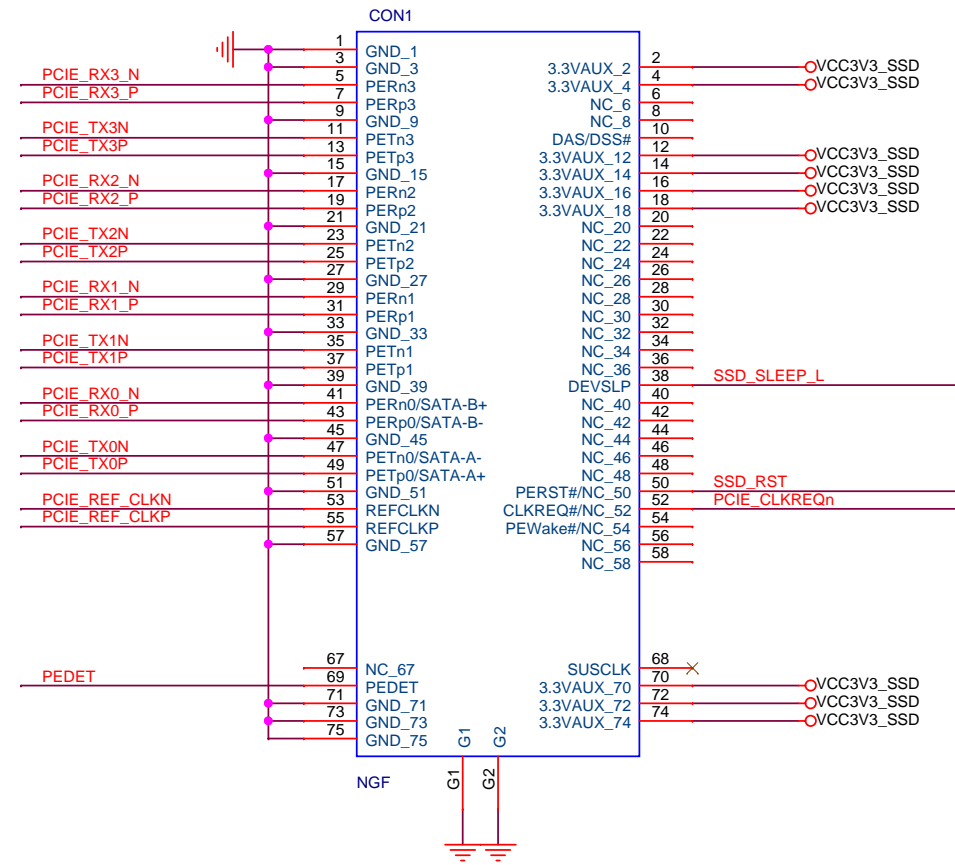
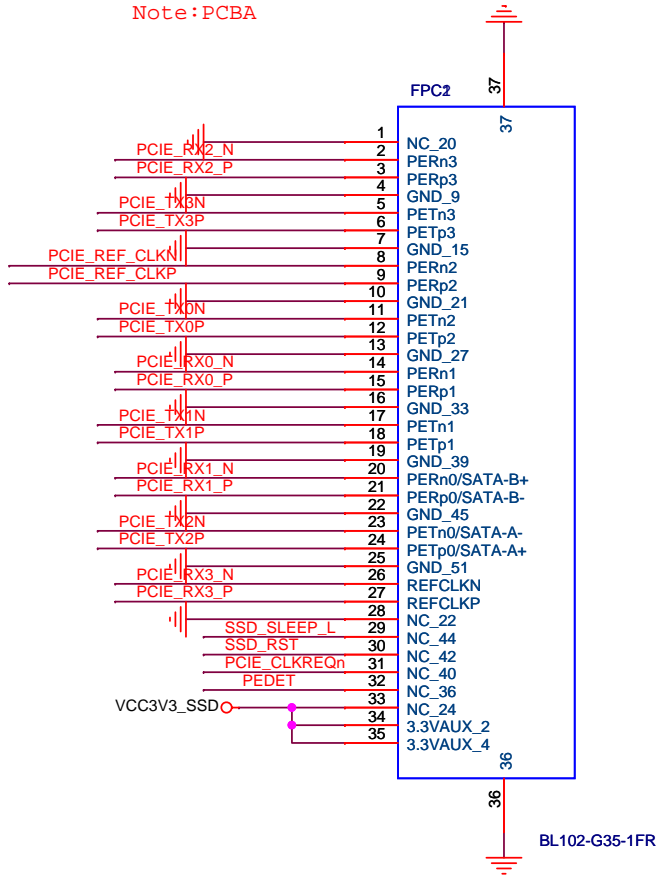


Note: PCBA



PINE64		
Title		
PinebookPro Pcie-SSD		
Size	Document Number	Rev
Custom	NGFF	V2.1
Date:	Sheet	1 of 1