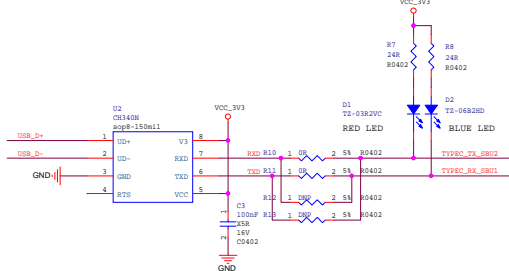
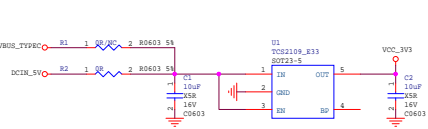
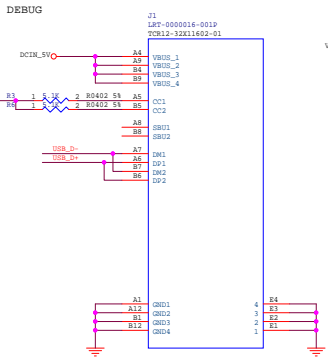
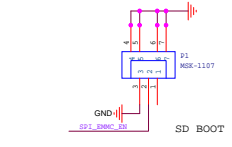
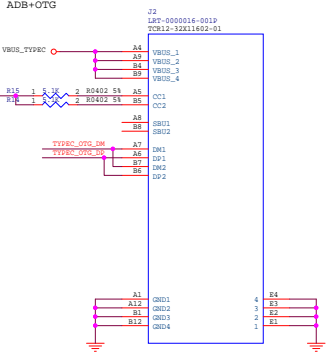
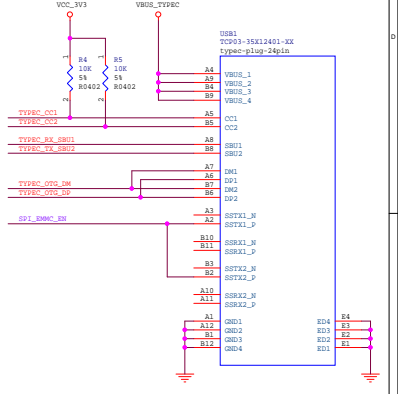


USB TYPEC Female



TypeC Plug



PINE64		PINE64	
Project:	PineTab2/PineTab-V UART Dongle Schematic-20221107		
Date:	Monday, November 07, 2022	Rev:	V1.0
Designed by:	Daniel J	Reviewed by:	Default
		Sheet:	1 of 1