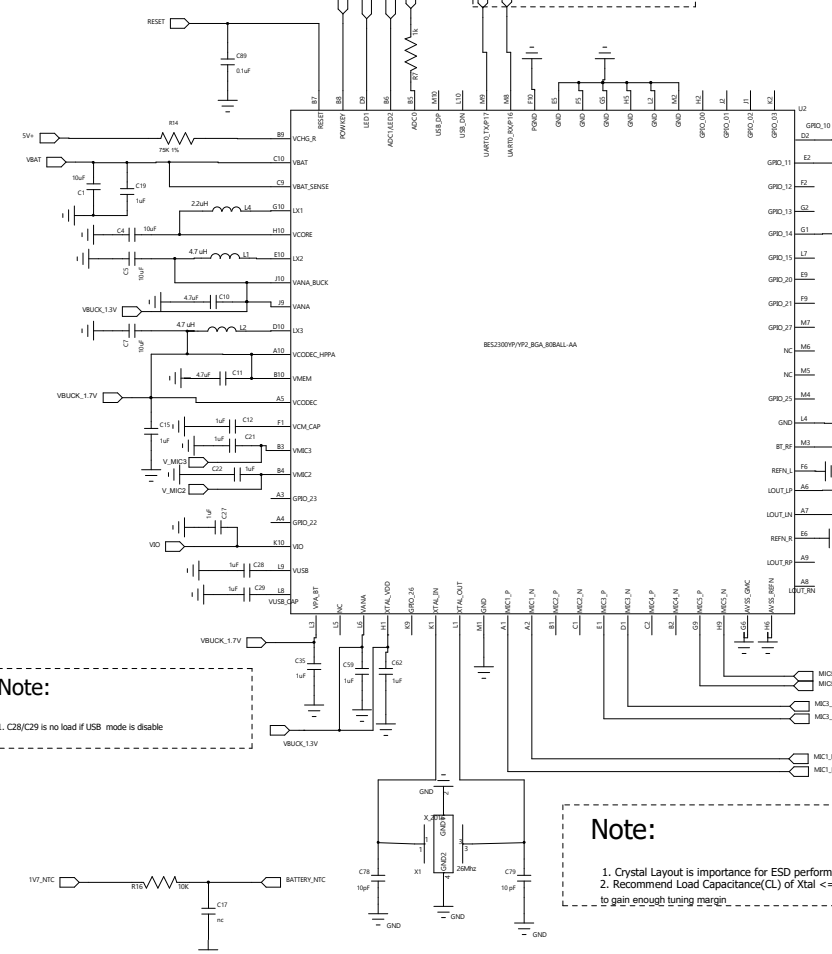


PineBuds Pro



Download port

R19 : Left ear board-NC, Right ear board-staff 10K

BT Antenna Matching

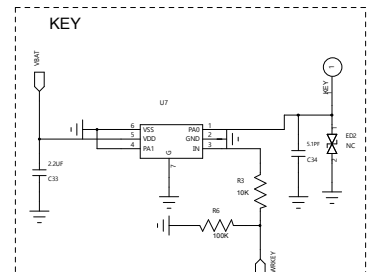
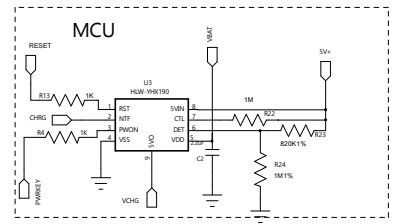
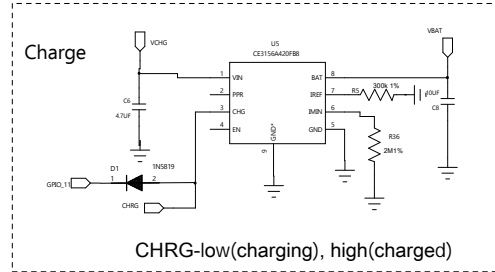
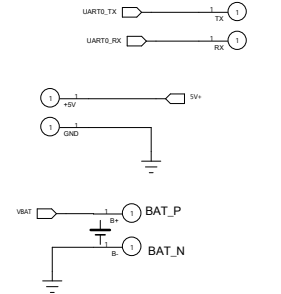
MIC5 for Low Power Talk Mic
MIC1~4 for High Performance ANC

Note:
1. C28/C29 is no load if USB mode is disable

Note:
1. Crystal Layout is importance for ESD performance
2. Recommend Load Capacitance(CL) of Xtal <= 7pF to gain enough tuning margin

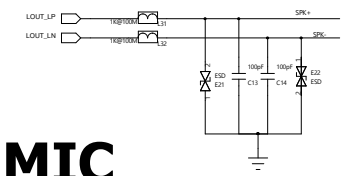
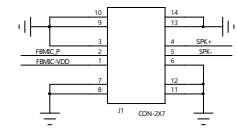
Note:
1. 14 GPIOs can be configured by FW for multi-function
2. GPIOs reference Voltage are Vmem=1.7V except GPIO16/17(PIN M8/M9)
3. Typically, Vana =1.3V, VIO=2.6V, Vcodex=1.7 Vvoxe=0.75V
4. FW Code is downloaded by UART Port

Download and BAT PAD



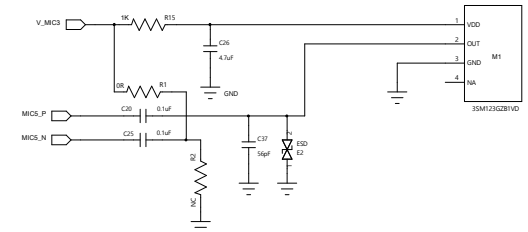
Note:
1. FBS and Caps for TDD noise suppression
2. Left channel is default used by FWS application

RCV



Talk MIC

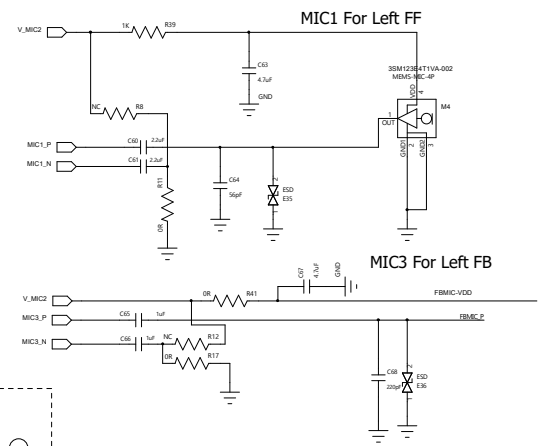
Note:
1. MICS work as Talking MIC only
2. VAD mic should be powered by Vmic3



MIC MODE 1 : MEMS MIC MODE

Note:
1. VAD mic should be powered by Vmic3 and Channel MICS

ANC MIC



ANC MIC - MEMS

Note:
1. GPIOs is not high impedance Except Pin LED1/LED2
2. PIN M8/M9 is only Pins can drive LEDs directly

| | | | | |
|---------------|---------|-------|---------------------|------------------|
| | REV | SHEET | MODEL: PineBuds Pro | DATE: 2022.08.17 |
| | B | 1/1 | UNIT: N/A | SCALE: N/A |
| MATERIAL: N/A | NO. | | APPROVAL | CHECKED |
| COATING: N/A | DRAWER: | | | DESIGN |
| 1 | | | | |