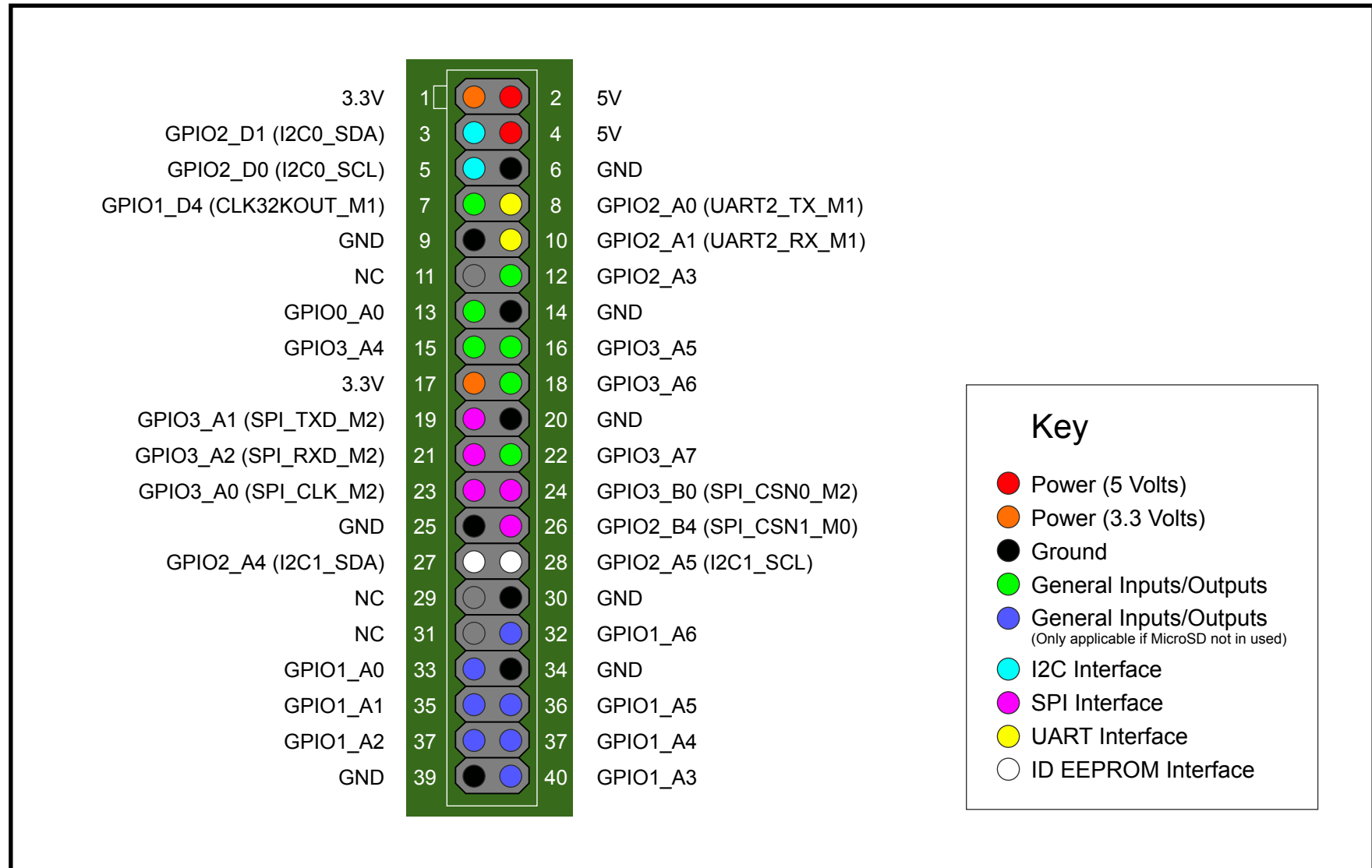


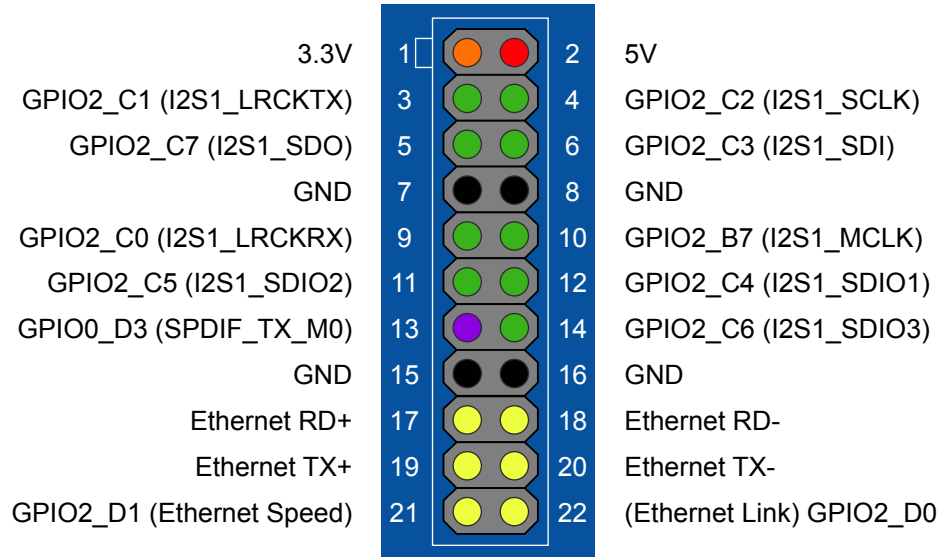
ROCK64

Pi-2 Bus



ROCK64

Pi P5+ Bus



Key

- Power (5 Volts)
- Power (3.3 Volts)
- Ground
- I2S Interface
- SPDIF Interface
- 10/100 Mbps Ethernet Interface
(Speed/Link only applicable if I2C0 not in used)