

A

B

C

D

E

R2~R7,C1,C3 close to chip pin

Share Pin

SP1	SDMMC3 D1 CON
SP2	SDMMC3 D0 CON
SP3	CLK SDMMC3 CON 200MHz
SP4	SDMMC3 CMD CON
SP5	SDMMC3 D3 CON
SP6	SDMMC3 D2 CON

Title		PINE64	
Document Number		PINEBOOK	
Size		Sheet	1 of 1
Date	Tuesday, January 10, 2017		

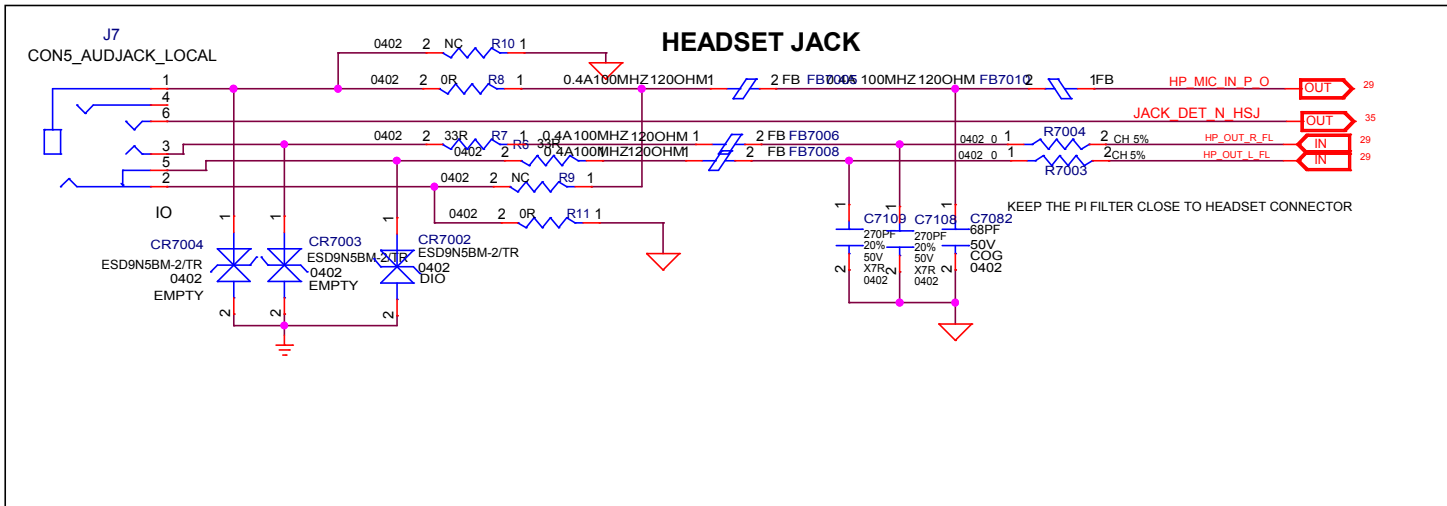
5

4

3

2

1



PINE64	
Title	
PINEBOOK	
Size	Document Number
Date:	Tuesday, January 10, 2017
Sheet	1 of 2