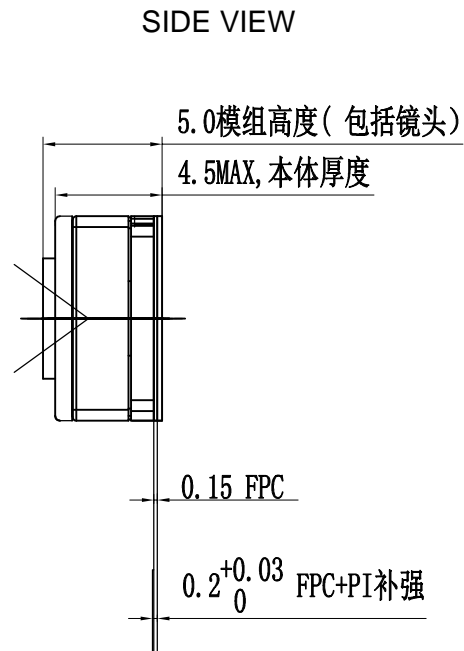
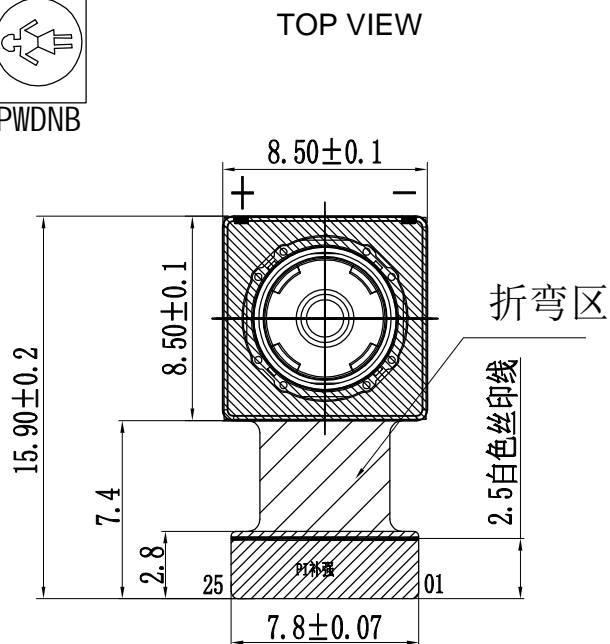
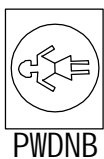
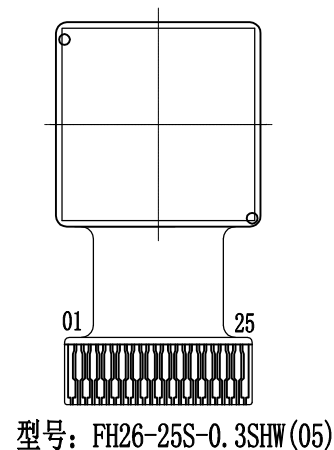


1	GND
2	GND
3	I2C_SDA
4	AVDD_2V8
5	I2C_SCL
6	RESET
7	VSYNC
8	PD
9	HSYNC
10	DVDD_1V8
11	DOVDD_2V8
12	D7
13	MCLK
14	D6
15	GND
16	D5
17	PCLK
18	D4
19	D0
20	D3
21	D1
22	D2
23	GND
24	AF_2V8
25	GND



BOTTOM VIEW



OV5640, 5MP, 1/4",