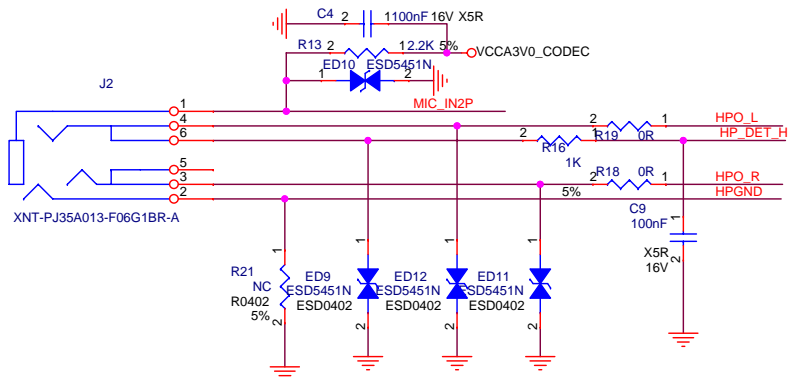
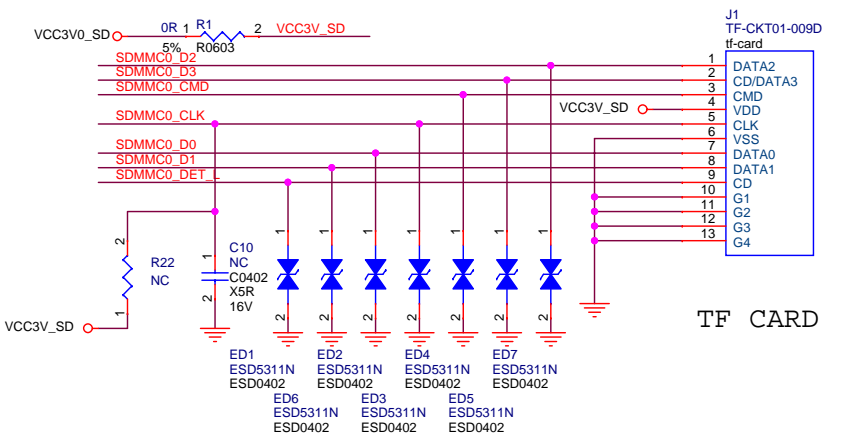
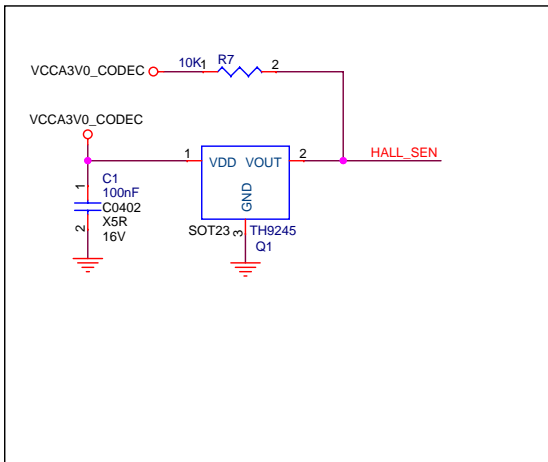


CN1  
SL008PN21D1126

# Headphone

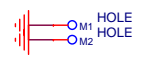
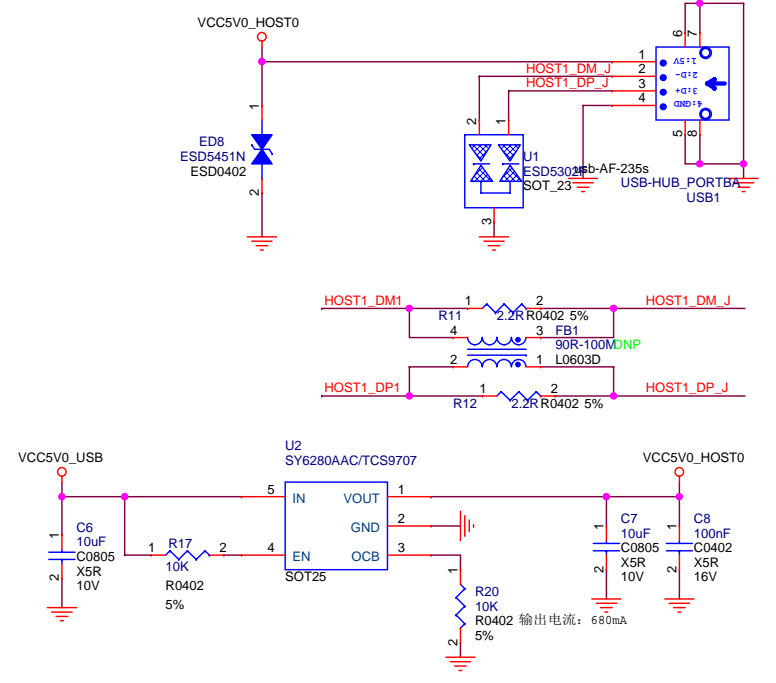


# Hall Sensor



TF CARD

# USB HOST



<b>PINE64</b>		
Title	PinebookPro Smallboard	
Size	Document Number	Rev
B	TF USB PJ	V2.1
Date:	Sheet	1 of 1