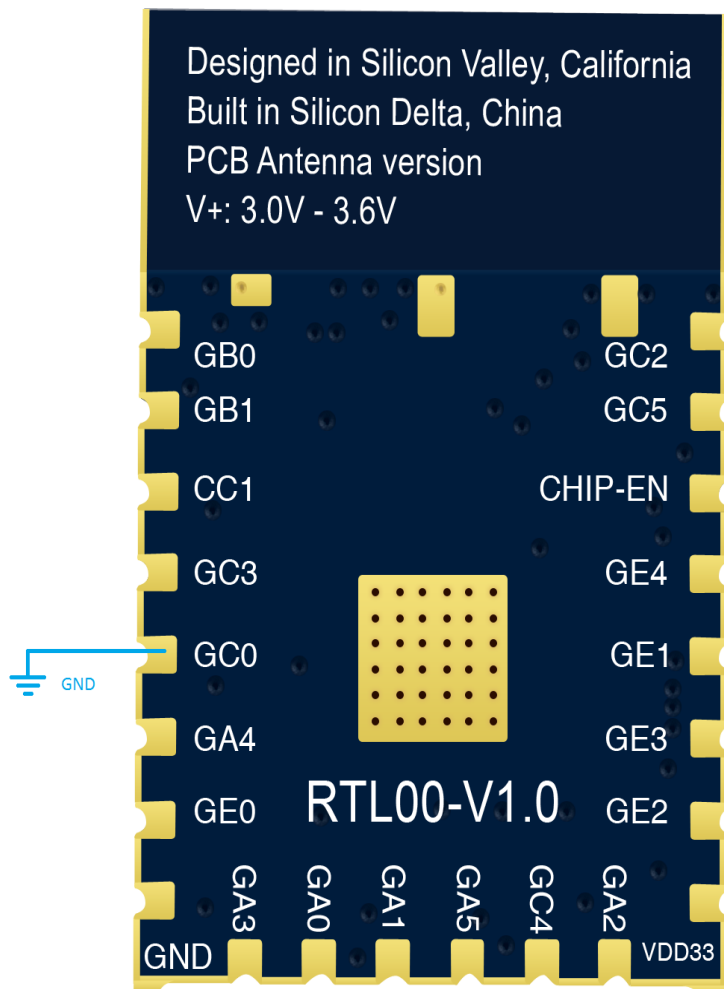




Firmware Recovery

PADI IoT Stamp support over the air firmware update, refer to Realtek OTA.AN0033 *Realtek Ameba-1 over the air firmware update.pdf* document in SDK for detail

<http://files.pine64.org/doc/PADI/software-sdk/AN0033%20Realtek%20Ameba-1%20over%20the%20air%20firmware%20update.pdf>



There are 2 firmware partition Default (0xb000) and OTA (0x80000). Connect GC0 to GND during power up cycle will force it to boot from Default partition if current active partition is OTA partition and vice versa.