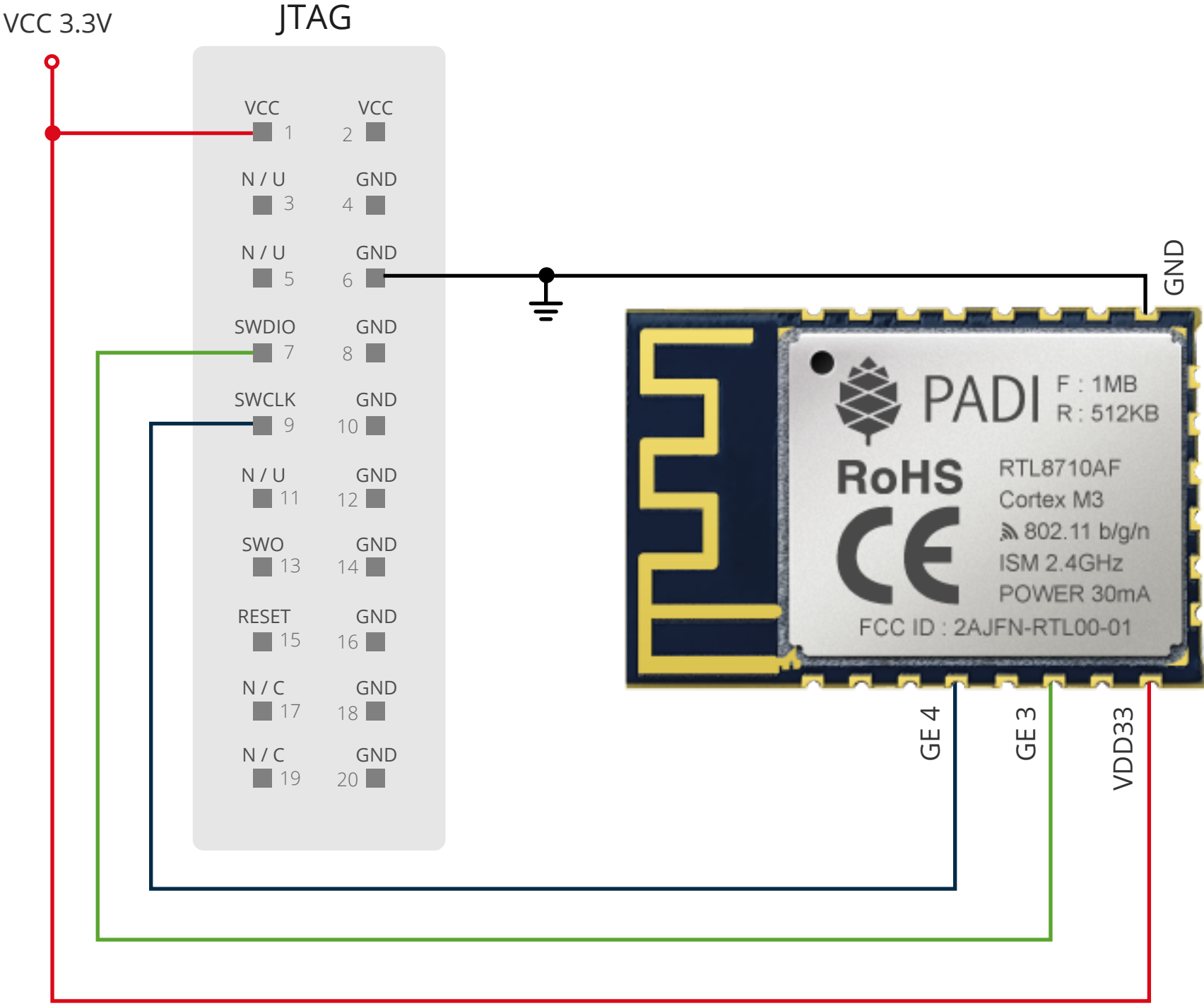


# JTAG/SWD Connections Diagram



### JTAG/SWD Setup Instructions:

1. Connect VDD33 to VCC (JTAG/SWD 1)
2. Connect GE3 to SWDIO (JTAG/SWD 7)
3. Connect GE4 to SWCLK (JTAG/SWD 9)
4. Connect GND to GND (JTAG/SWD 4)
5. Required external power VCC 3.3V, JTAG/SWD didn't supply power to the PADI IoT Stamp, VCC connection from PADI IoT Stamp is used by JTAG/SWD as voltage reference only.